

REVISIONS			
REV.	DESCRIPTION	DATE	APPROVED
A	PRODUCTION RELEASE	7/12/11	K.R.

Nominal Coil Voltage	Part Number		
	SP3T	SP4T	SP6T
12 Vdc	535JK-5208	545JK-5208	565JK-5208
15 Vdc	535JK-5908	545JK-5908	565JK-5908
24 Vdc	535JK-5808	545JK-5808	565JK-5808
28 Vdc	535JK-5308	545JK-5308	565JK-5308

REVISIONS	A	A	A			
SHEET NO.	1	2	3			
APPROVALS			DATE			
DRAWN SARA LEE			07/07/11			
ENGINEERING G. NICKLAUS			07/12/11			
QUALITY G. WAKEFIELD			07/12/11			
MANUFACTURING J. LEE			07/12/11			



DowKey®
Microwave
CORPORATION

4822 McGrath Street
Ventura, CA. 93003-5641
PH: (805) 650-0260
FAX: (805) 650-1734

A **DOVER** TECHNOLOGIES COMPANY

SWITCH, 3-6 POSITION, NORMALLY OPEN,
SMA-FEMALE CONNECTORS,
DE9P DC CONNECTOR, 26.5 GHZ

CODE IDENT. NO.
00471

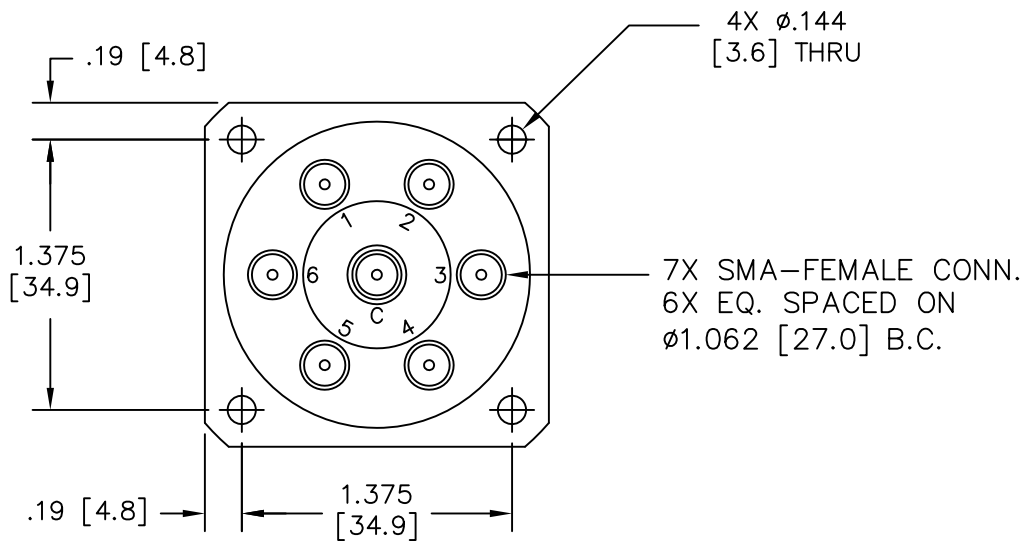
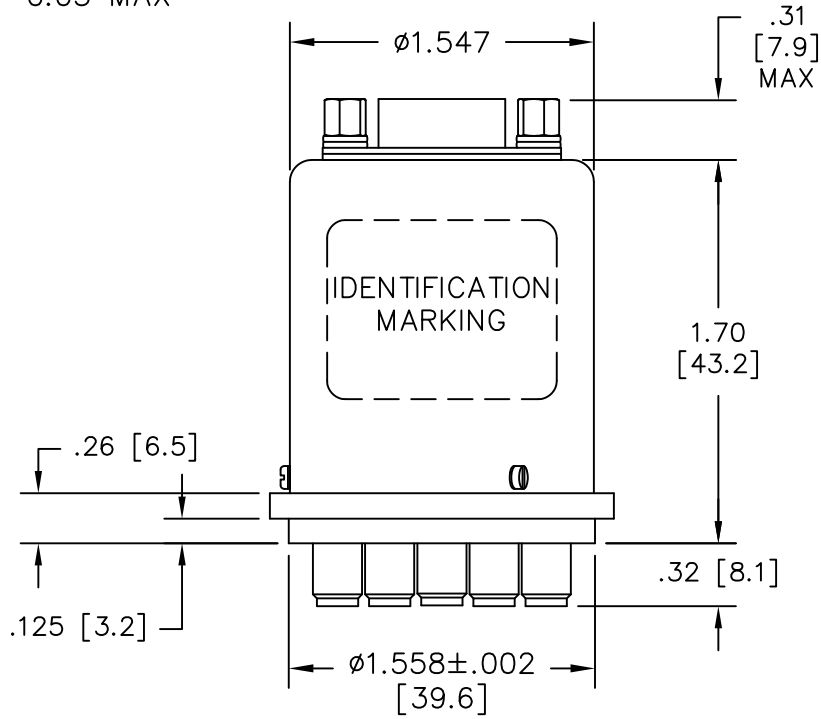
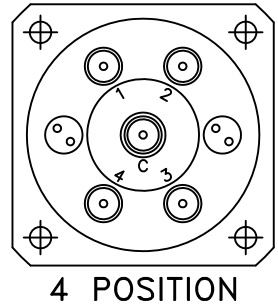
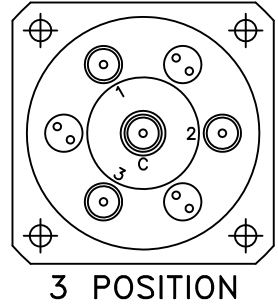
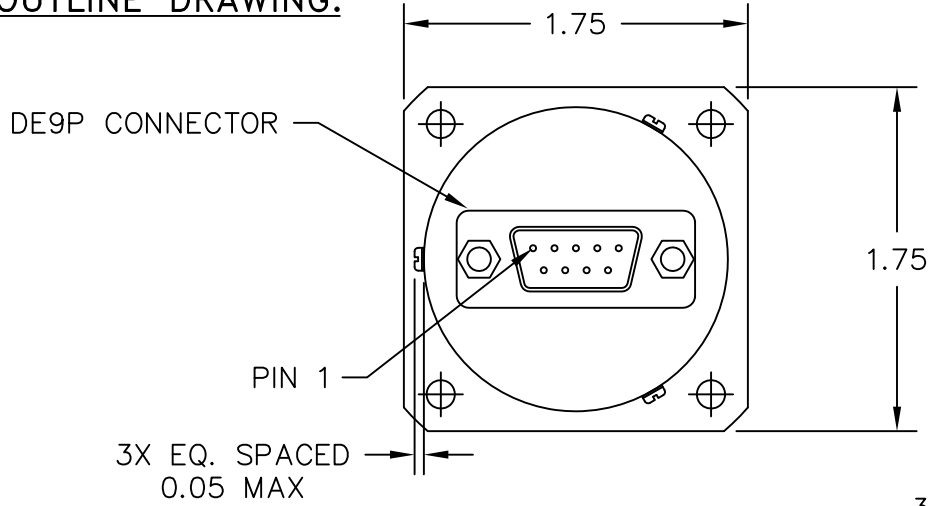
DWG. NO.
5X5JK-5X08

SCALE NONE

FINAL ASSY:

SHEET 1 OF 3

OUTLINE DRAWING:



[] MILLIMETERS

UNLESS OTHERWISE SPECIFIED TOLERANCES ARE: .XXX ±.010 ANGLES: ±3° .XX ±.030	CODE IDENT. NO. 00471	DWG. NO. 5X5JK-5X08	REV. A
	SCALE NONE	SHEET 2 OF 3	

SPECIFICATIONS:

1. RF CHARACTERISTICS:

1.1 FREQUENCY (GHz):	DC-4	4-8	8-12.4	12.4-18	18-26.5
1.2 VSWR (RATIO MAX):	1.20:1	1.30:1	1.40:1	1.50:1	1.80:1
1.3 INSERTION LOSS (dB MAX):	0.20	0.30	0.40	0.50	0.80
1.4 ISOLATION (dB MIN):	70	65	65	60	50
1.5 RF POWER (WATTS CW MAX):	125	90	75	60	45

2. ACTUATION DATA:

2.1	NOMINAL VOLTAGE	OPERATING VOLTAGE	CURRENT (TYP) @ NOMINAL VOLTAGE & 25°C
	12	11-14	335mA
	15	13-17	280mA
	24	20-28	190mA
	28	24-32	160mA

- 2.2 SWITCHING TIME: 20ms MAX
 2.3 OPERATING MODE: NORMALLY OPEN

3. MECHANICAL:

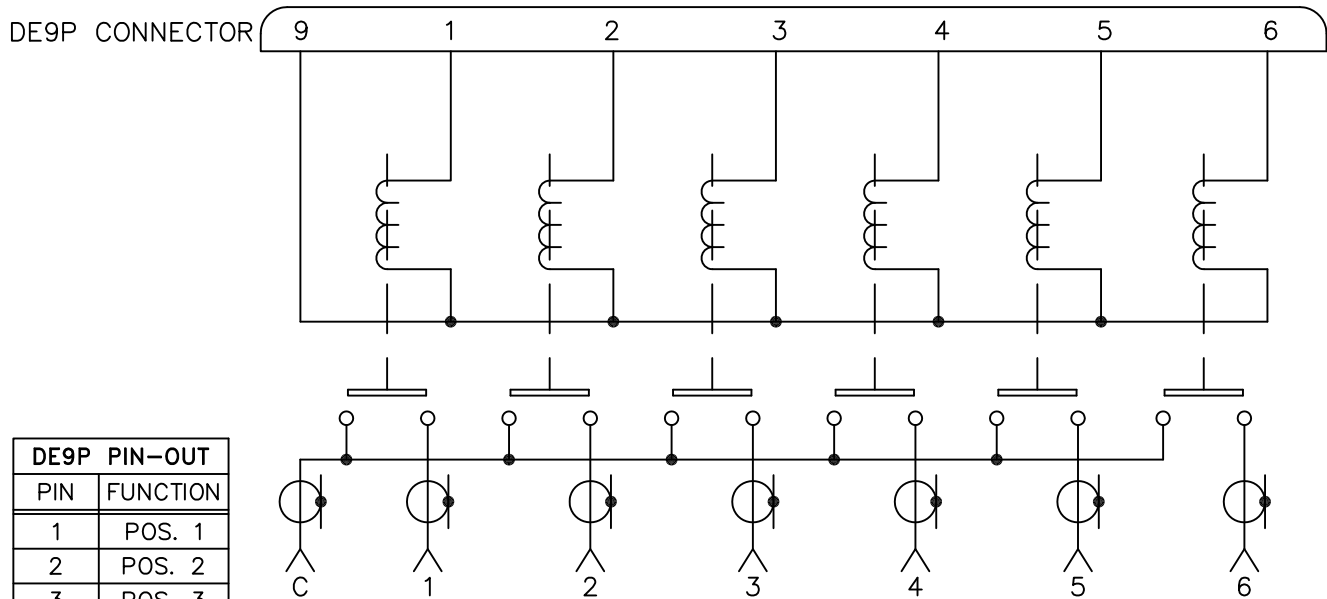
- 3.1 RF CONTACTS: BREAK BEFORE MAKE
 3.2 WEIGHT: 4.0oz. (113g.) NOMINAL
 3.3 DESIGN LIFE: 1,000,000 CYCLES MIN

4. ENVIRONMENTAL:

- 4.1 OPERATING TEMPERATURE: -25°C TO +65°C
 4.2 STORAGE TEMPERATURE: -55°C TO +85°C
 4.3 SEAL: SAND AND DUST

SCHEMATIC:

NOT POLARITY SENSITIVE



DE9P PIN-OUT	
PIN	FUNCTION
1	POS. 1
2	POS. 2
3	POS. 3
4	POS. 4
5	POS. 5
6	POS. 6
7-8	SPARE
9	COM

SCHEMATIC SHOWN IN NORMALLY OPEN POSITION

CODE IDENT. NO. 00471	DWG. NO. 5X5JK-5X08	REV. A
SCALE NONE	SHEET 3 OF 3	