
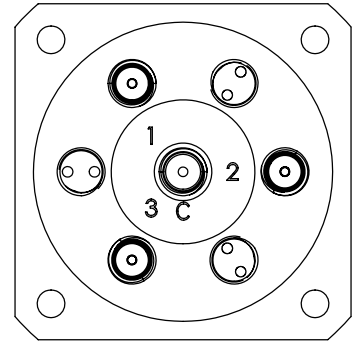
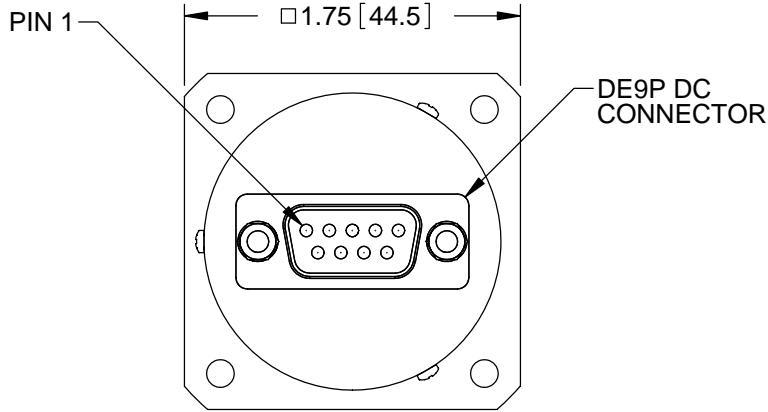


REVISIONS			
REV.	DESCRIPTION	DATE	APPROVED
B	REVISED PER ECO 5374	11/09/98	J.A.
C	REVISED AND REDRAWN PER ECO 11028	12/3/14	K.R.

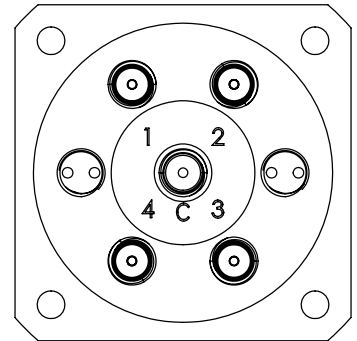
Nominal Coil Voltage	Part Number		
	SP3T	SP4T	SP6T
12 Vdc	535J-520802A	545J-520802A	565J-520802A
15 Vdc	535J-590802A	545J-590802A	565J-590802A
24 Vdc	535J-580802A	545J-580802A	565J-580802A
28 Vdc	535J-530802A	545J-530802A	565J-530802A

REVISIONS	C	C	C				 DowKey[®] Microwave CORPORATION <small>A DOVER TECHNOLOGIES COMPANY</small>	4822 McGrath Street Ventura, CA. 93003-5641 PH: (805) 650-0260 FAX: (805) 650-1734
SHEET NO.	1	2	3					
APPROVALS			DATE			SW, 3-6 POSITION, NORMALLY OPEN SMA-FEMALE CONNECTORS TTL-HI CONTROL, DE9P DC CONNECTOR		
DRAWN SARA LEE			11/25/14					
ENGINEERING T. JOHNSON			12/2/2014					
QUALITY G. WAKEFIELD			12/3/2014					
MANUFACTURING R. GARCIA			12/3/2014					
CODE IDENT. NO.				DWG. NO.				
00471				5X5J-5X0802A				
SCALE		NONE		FINAL ASSY: 565J-530802A		SHEET 1 OF 3		

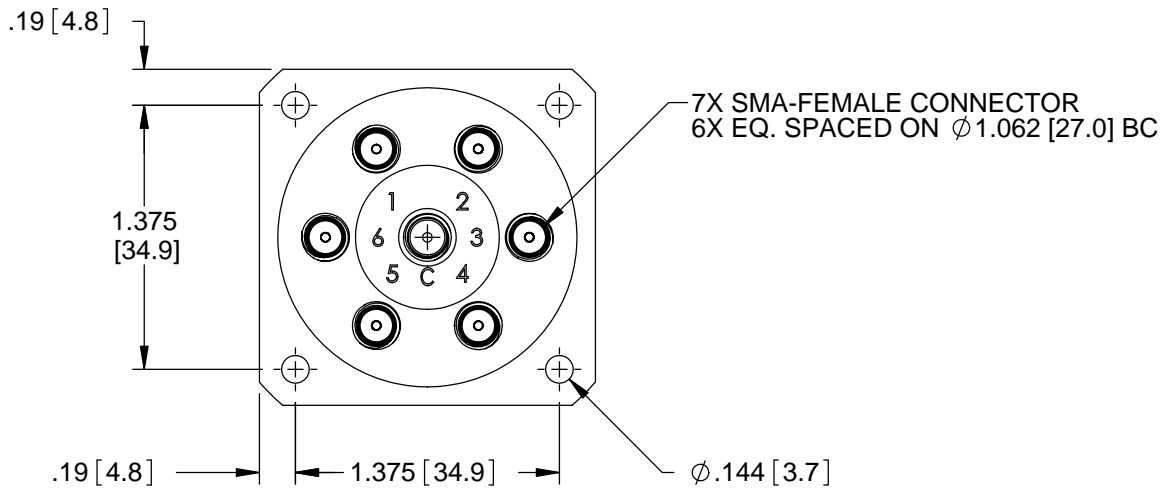
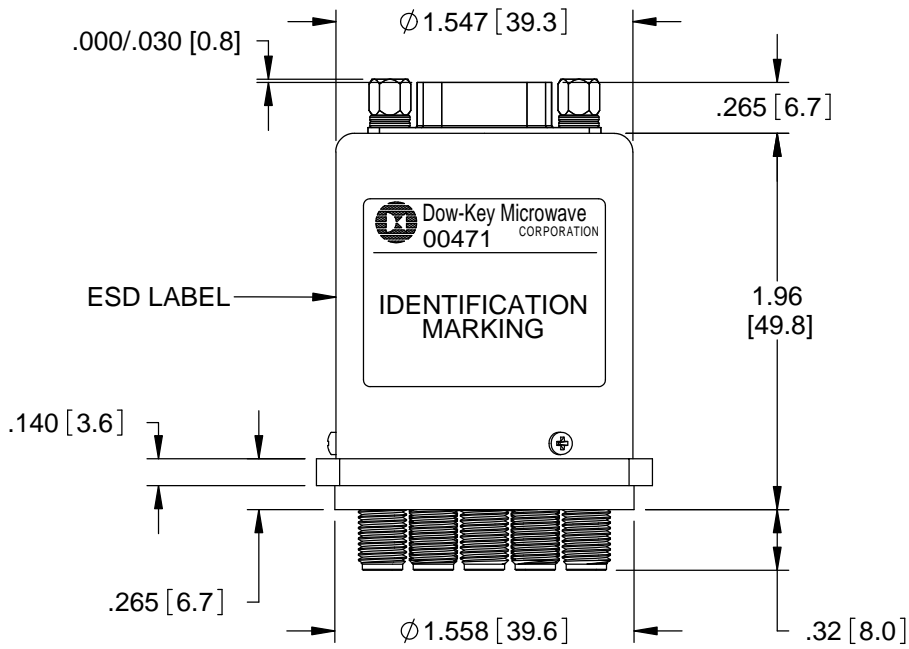
OUTLINE DRAWING:



3 POSITION



4 POSITION



[] MILLIMETERS

UNLESS OTHERWISE SPECIFIED TOLERANCES ARE: .XXX ±.010 ANGLES: ±3° .XX ±.030	CODE IDENT. NO. 00471	DWG. NO. 5X5J-5X0802A	REV. C
	SCALE NONE	FINAL ASSY: 565J-530802A	SHEET 2 OF 3

SPECIFICATION:

1.0 RF CHARACTERISTICS:

1.1 FREQUENCY (GHz)	DC - 4	4 - 8	8 - 12.4	12.4 - 18
1.2 VSWR (RATIO MAX)	1.20:1	1.30:1	1.40:1	1.50:1
1.3 INSERTION LOSS (dB MAX)	0.20	0.30	0.40	0.50
1.4 ISOLATION (dB MIN)	70	65	60	60
1.5 RF POWER (WATTS CW MAX)	125	90	75	60
1.6 IMPEDANCE (NOMINAL)	50 OHMS			

2.0 ACTUATION DATA:

2.1	NOMINAL VOLTAGE	OPERATING VOLTAGE	CURRENT (TYP) @ NOMINAL VOLTAGE & 25°C
	12	11-14	335mA
	15	13-17	280mA
	24	20-28	190mA
	28	24-32	160mA

2.2 SWITCHING TIME 20mS MAX
 2.3 OPERATING MODE NORMALLY OPEN

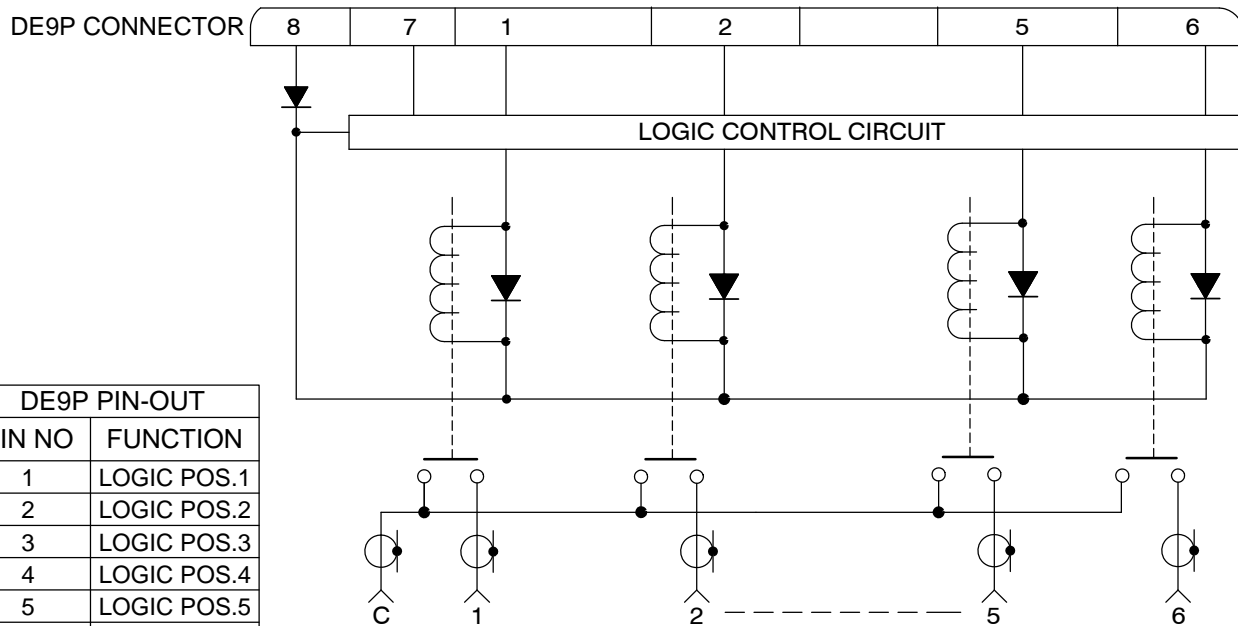
3.0 MECHANICAL:

3.1 RF CONTACTS BREAK BEFORE MAKE
 3.2 WEIGHT 4.3oz (122g) NOMINAL
 3.3 DESIGN LIFE 2,000,000 CYCLES MINIMUM

4.0 ENVIRONMENTAL:

4.1 OPERATING TEMPERATURE -25°C TO +65°C
 4.2 STORAGE TEMPERATURE -55°C TO +85°C
 4.3 SEAL: SAND AND DUST

SCHMATIC:



PIN NO	FUNCTION
1	LOGIC POS.1
2	LOGIC POS.2
3	LOGIC POS.3
4	LOGIC POS.4
5	LOGIC POS.5
6	LOGIC POS.6
7	-COM
8	+VDC
9	N/C

SWITCH SHOWN IN THE DE-ENERGIZED POSITION

LOGIC HI (ON) 1 = 2.4-5.5Vdc
 LOGIC LOW (OFF) 0 = 0-0.8Vdc

CODE IDENT. NO. 00471	DWG. NO. 5X5J-5X0802A	REV. C
SCALE NONE	FINAL ASSY: 565J-530802A	SHEET 3 OF 3