
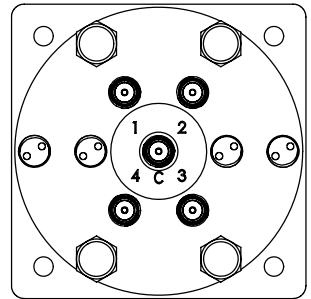
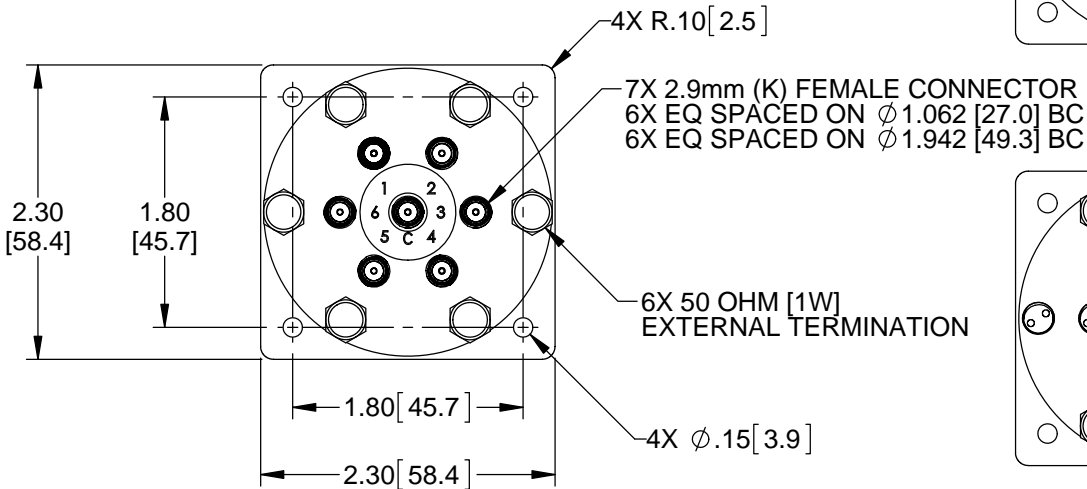
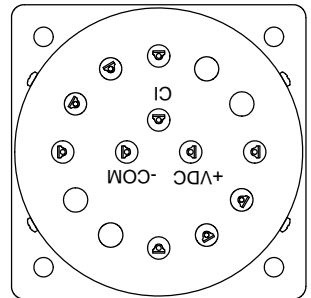
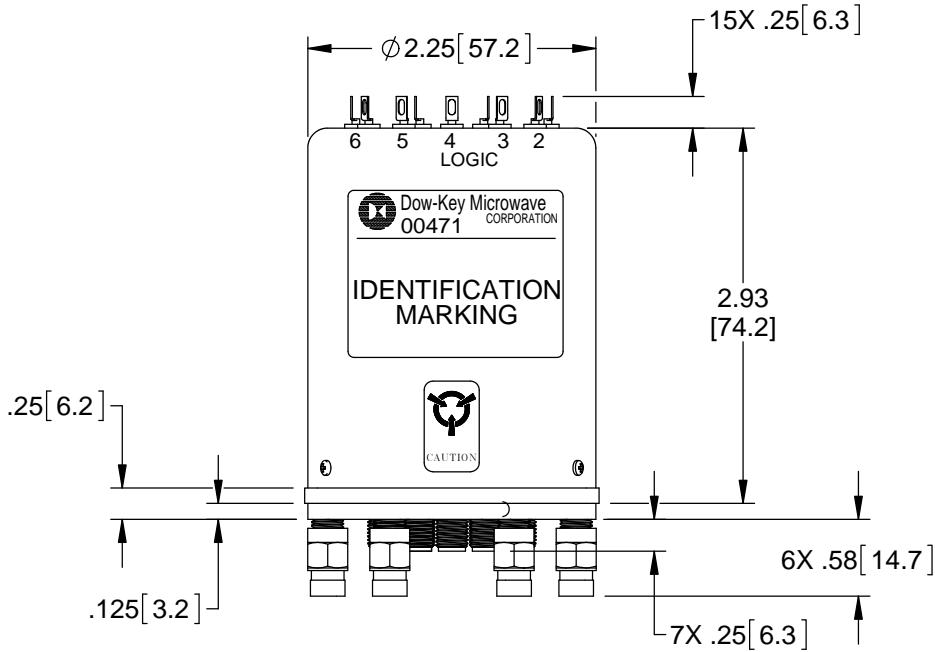
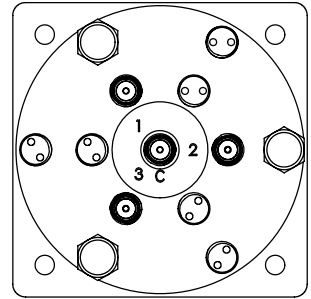
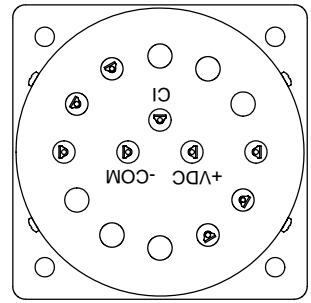
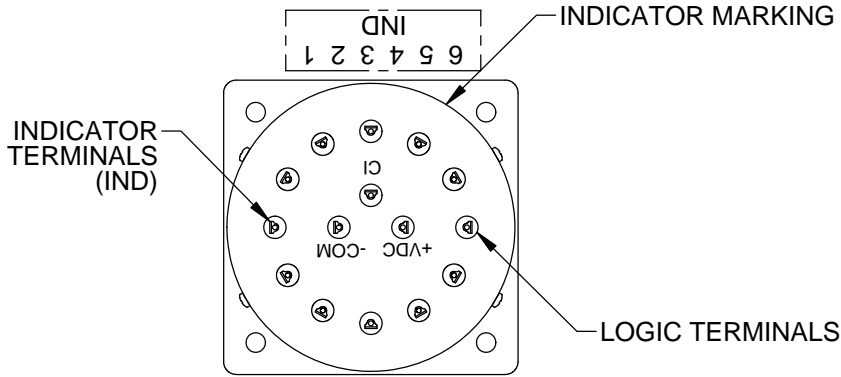


REVISIONS			
REV.	DESCRIPTION	DATE	APPROVED
B	REVISED PER ECO 10926	8/28/14	K.R.
C	REVISED PER ECO 11600	12/22/16	K.R.

Nominal Coil Voltage	Part Number		
	SP3T	SP4T	SP6T
12 Vdc	531Y-421123A	541Y-421123A	561Y-421123A
24 Vdc	531Y-481123A	541Y-481123A	561Y-481123A
28 Vdc	531Y-431123A	541Y-431123A	561Y-431123A

REVISIONS	C	C	C				 DowKey[®] Microwave CORPORATION <small>A DOVER TECHNOLOGIES COMPANY</small>	4822 McGrath Street Ventura, CA. 93003-5641 PH: (805) 650-0260 FAX: (805) 650-1734
SHEET NO.	1	2	3					
APPROVALS			DATE			SWITCH, 3-6 POSITION, LATCHING SELF CUT-OFF, 2.9mm (K) FEMALE CONNECTORS, INDICATORS, 5V CONTROL, 50 OHM [1W] EXT TERM, DC-40 GHz		
DRAWN SARA LEE			12/15/2016					
ENGINEERING T. JOHNSON			12/21/2016					
QUALITY G. WAKEFIELD			12/21/2016					
MANUFACTURING R. GARCIA			12/22/2016					
CODE IDENT. NO.				DWG. NO.				
00471				5X1Y-4X1123A				
SCALE		NONE		FINAL ASSY:		SHEET 1 OF 3		

OUTLINE DRAWING:



[] MILLIMETERS

UNLESS OTHERWISE SPECIFIED TOLERANCES ARE:
.XXX ± 0.10 ANGLES: $\pm 3^\circ$
.XX ± 0.30

CODE IDENT. NO.
00471

DWG. NO.
5X1Y-4X1123A

REV.
C

SCALE NONE

FINAL ASSY:

SHEET 2 OF 3

SPECIFICATION:

1.0 RF CHARACTERISTICS:

1.1 FREQUENCY (GHz)	DC - 6	6 - 12	12 - 18	18 - 26.5	26.5 - 40
1.2 VSWR (RATIO MAX)	1.30:1	1.40:1	1.50:1	1.70:1	1.95:1
1.3 INSERTION LOSS (dB MAX)	0.30	0.40	0.50	0.70	0.95
1.4 ISOLATION (dB MIN)	70	60	60	55	50
1.5 RF POWER (WATTS CW MAX) AT SEA LEVEL, +25°C, LOAD VSWR 1:1	40	30	25	15	8
1.6 IMPEDANCE (NOMINAL)	50 OHMS				

2.0 ACTUATION DATA:

2.1	NOMINAL VOLTAGE	OPERATING VOLTAGE	CURRENT (NOMINAL) @ NOMINAL VOLTAGE & 25°C
	12	11-14	530mA
	24	20-28	240mA
	28	24-32	210mA

2.2 SWITCHING TIME 15mS MAX
2.3 OPERATING MODE LATCHING SELF CUT-OFF

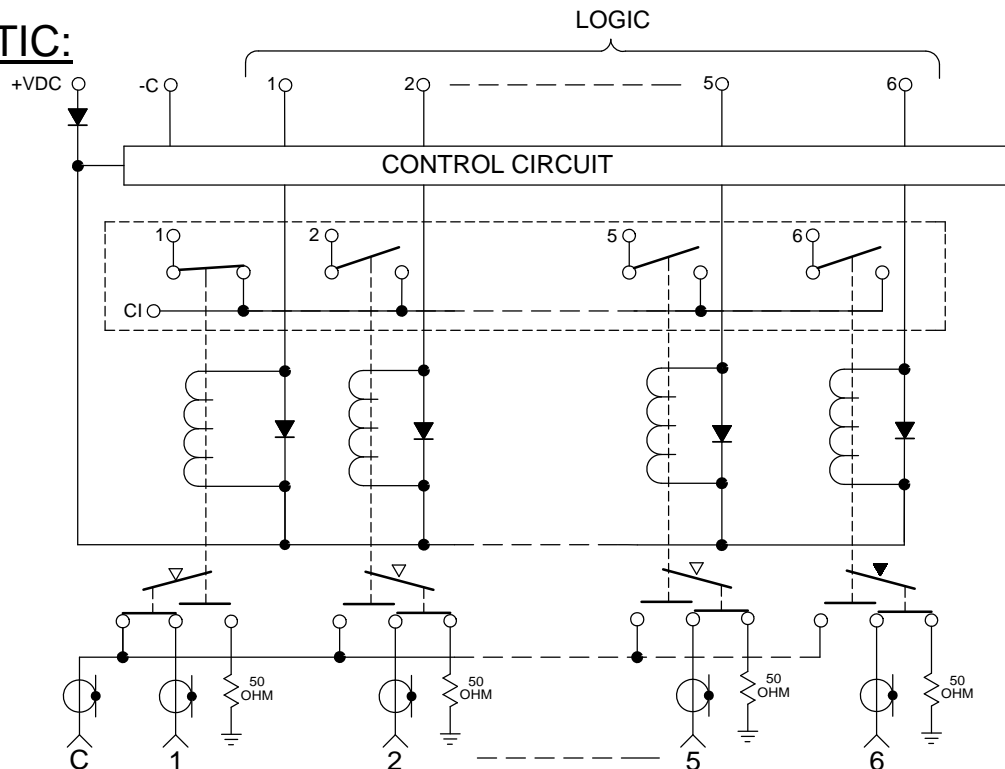
3.0 MECHANICAL:

3.1 CONTACT ARRANGEMENT SP3T - SP6T
3.2 RF CONTACTS BREAK BEFORE MAKE
3.3 WEIGHT 10oz (284g) NOMINAL
3.4 DESIGN LIFE 1,000,000 CYCLES MINIMUM

4.0 ENVIRONMENTAL:

4.1 OPERATING TEMPERATURE -25°C TO +65°C
4.2 STORAGE TEMPERATURE -55°C TO +85°C
4.3 SEAL: SAND AND DUST

SCHMATIC:



LOGIC "1" (ON) = 2.4 - 5.5 VDC
LOGIC "0" (OFF) = 0.0 - 0.5 VDC

CODE IDENT. NO. 00471	DWG. NO. 5X1Y-4X1123A	REV. C
SCALE NONE	FINAL ASSY:	SHEET 3 OF 3