

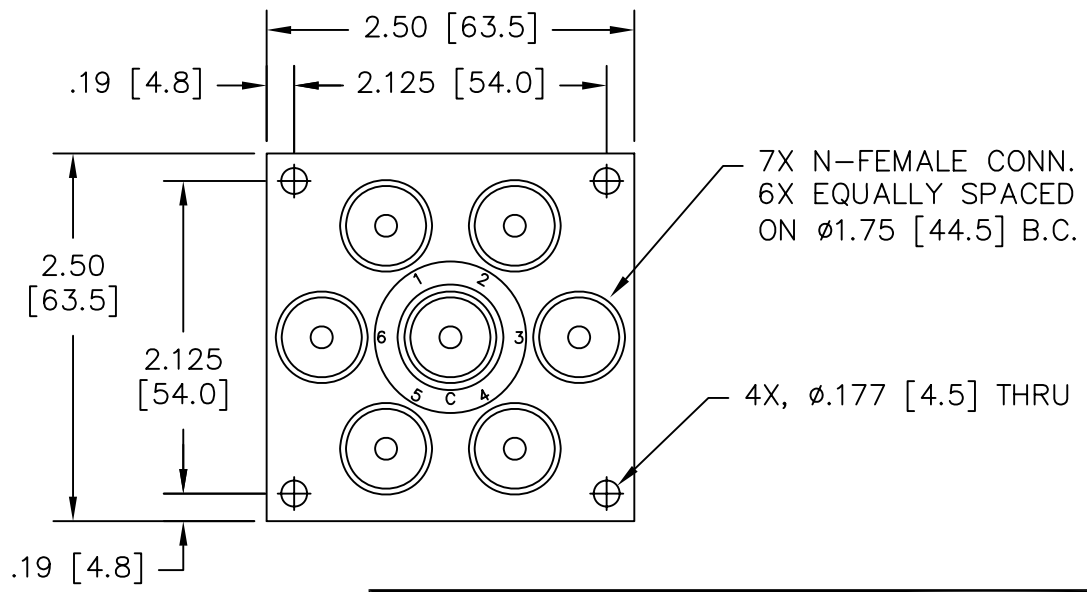
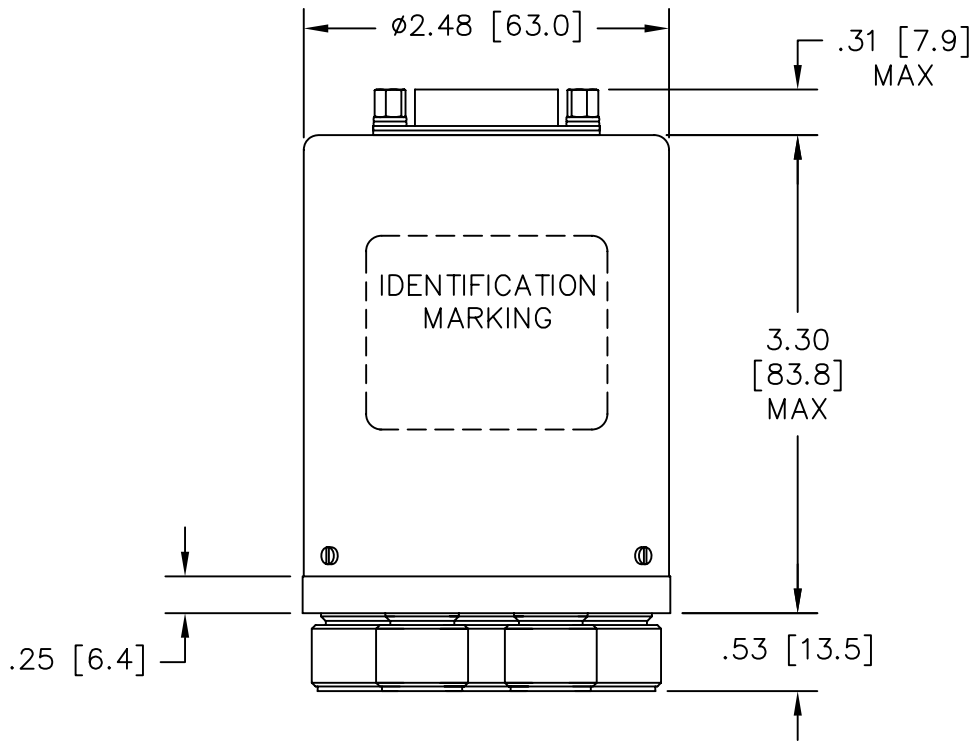
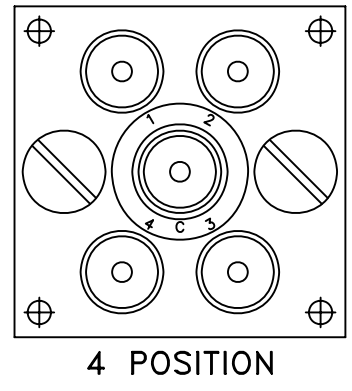
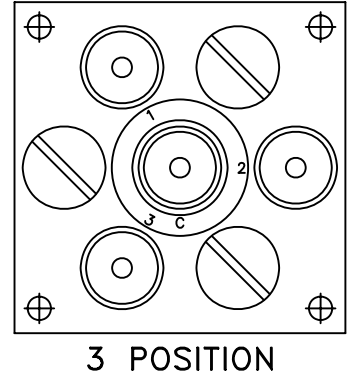
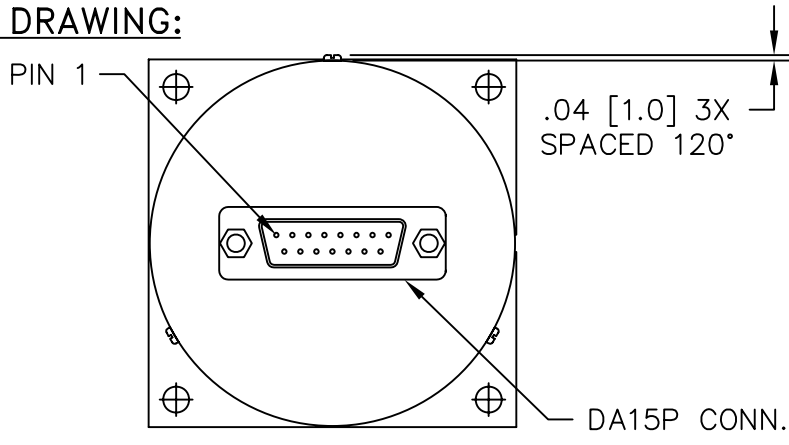


REVISIONS			
REV.	DESCRIPTION	DATE	APPROVED
A	PRODUCTION RELEASE	12/15/05	J.S.

Nominal Coil Voltage	Part Number		
	SP3T	SP4T	SP6T
12 Vdc	531JT-520122	541JT-520122	561JT-520122
24 Vdc	531JT-580122	541JT-580122	561JT-580122
28 Vdc	531JT-530122	541JT-530122	561JT-530122

REVISIONS	A	A	A				 <b>DowKey® Microwave CORPORATION</b>	4822 McGrath Street Ventura, CA. 93003-5641 PH: (805) 650-0260 FAX: (805) 650-1734
SHEET NO.	1	2	3					
APPROVALS			DATE			 <b>A DOVER TECHNOLOGIES COMPANY</b>		
DRAWN	S. LEE		12/1/05					
ENG	G. NICKLAUS		12/2/05			SWITCH, 3-6 POSITION, NORMALLY OPEN N-FEMALE CONNECTOS, INDICATORS DE9P CONNECTOR, -55°C TO +85°C		
ENG. MGR.	R. SZNUK		12/5/05					
SALES MGR.	V. HARTER		12/14/05			CODE IDENT. NO.	DWG. NO.	
Q.A. MGR.	R. MATSUMOTO		12/14/05			00471	5X1JT-5X0122	
MFG. MGR.	R. GONZALEZ		12/13/05			SCALE	NONE	FINAL ASSY:
								SHEET 1 OF 3

**OUTLINE DRAWING:**



[ ] MILLIMETERS

UNLESS OTHERWISE SPECIFIED TOLERANCES ARE: .XXX ±.010 ANGLES: ±3° .XX ±.030	CODE IDENT. NO. 00471	DWG. NO. 5X1JT-5X0122	REV. A
	SCALE NONE	SHEET 2 OF 3	

# SPECIFICATIONS:

## 1. RF CHARACTERISTICS:

1.1 FREQUENCY (GHz):	DC-4	4-8	8-12.4
1.2 VSWR (RATIO MAX):	1.25:1	1.35:1	1.70:1
1.3 INSERTION LOSS (dB MAX):	0.30	0.40	0.70
1.4 ISOLATION (dB MIN):	70	60	55
1.5 RF POWER (WATTS CW MAX):	175	125	100

## 2. ACTUATION DATA:

NOMINAL VOLTAGE	OPERATING VOLTAGE	CURRENT (TYP) @ NOMINAL VOLTAGE & 25°C
12	11-14	100mA
24	20-28	65mA
28	24-32	55mA

- 2.2 SWITCHING TIME: 20ms MAX  
 2.3 OPERATING MODE: NORMALLY OPEN

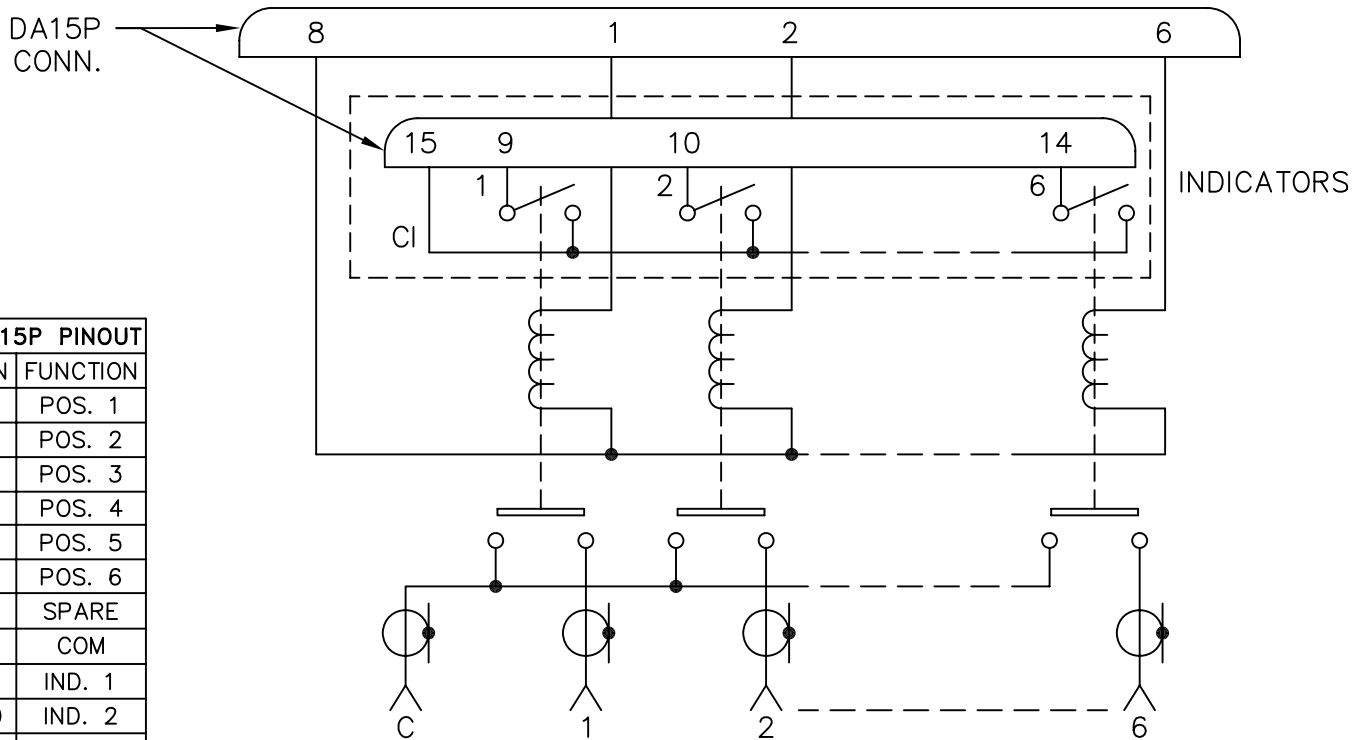
## 3. MECHANICAL:

- 3.1 RF CONTACTS: BREAK BEFORE MAKE  
 3.2 WEIGHT: 17.0oz. (482g.) NOMINAL  
 3.3 DESIGN LIFE: 1,000,000 CYCLES MIN

## 4. ENVIRONMENTAL:

- 4.1 OPERATING TEMPERATURE: -55°C TO +85°C  
 4.2 STORAGE TEMPERATURE: -55°C TO +85°C  
 4.3 SEAL: EPOXY

# SCHEMATIC:



DA15P PINOUT	
PIN	FUNCTION
1	POS. 1
2	POS. 2
3	POS. 3
4	POS. 4
5	POS. 5
6	POS. 6
7	SPARE
8	COM
9	IND. 1
10	IND. 2
11	IND. 3
12	IND. 4
13	IND. 5
14	IND. 6
15	IND COM

CODE IDENT. NO. 00471	DWG. NO. 5X1JT-5X0122	REV. A
SCALE NONE	SHEET 3 OF 3	