

REVISIONS			
REV.	DESCRIPTION	DATE	APPROVED
A	PRODUCTION RELEASE	6/26/08	K.R.
B	REVISED PER ECO #9735	11/18/09	K.R.

Nominal Coil Voltage	Part Number		
	SP3T	SP4T	SP6T
12 Vdc	531JT-520102A	541JT-520102A	561JT-520102A
24 Vdc	531JT-580102A	541JT-580102A	561JT-580102A
28 Vdc	531JT-530102A	541JT-530102A	561JT-530102A

REVISIONS	B	B	B			
SHEET NO.	1	2	3			
APPROVALS			DATE			
DRAWN	S. LEE		6/26/08			
ENG	G. NICKLAUS		6/26/08			
ENG. MGR.	R. SZNUK		6/26/08			
SALES MGR.	A. CHEUNG		6/26/08			
Q.A. MGR.	N. SANDERS		6/26/08			
MFG. MGR.	R. GONZALEZ		6/26/08			



DowKey®
Microwave
CORPORATION

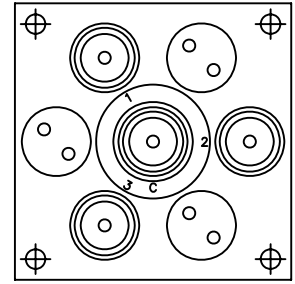
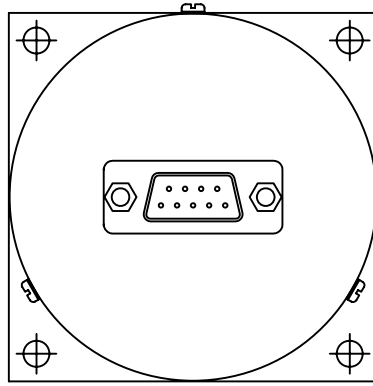
4822 McGrath Street
Ventura, CA. 93003-5641
PH: (805) 650-0260
FAX: (805) 650-1734

A **DOVER** TECHNOLOGIES COMPANY

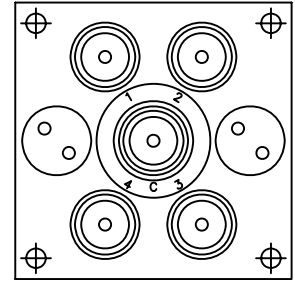
SWITCH, 3-6 POSITION, NORMALLY OPEN
N-FEMALE CONNECTORS, TTL-HI CONTROL LOGIC
DE9P DC CONNECTOR, -55°C TO +85°C

CODE IDENT. NO.	DWG. NO.
00471	5X1JT-5X0102A
SCALE NONE	FINAL ASSY:
SHEET 1 OF 3	

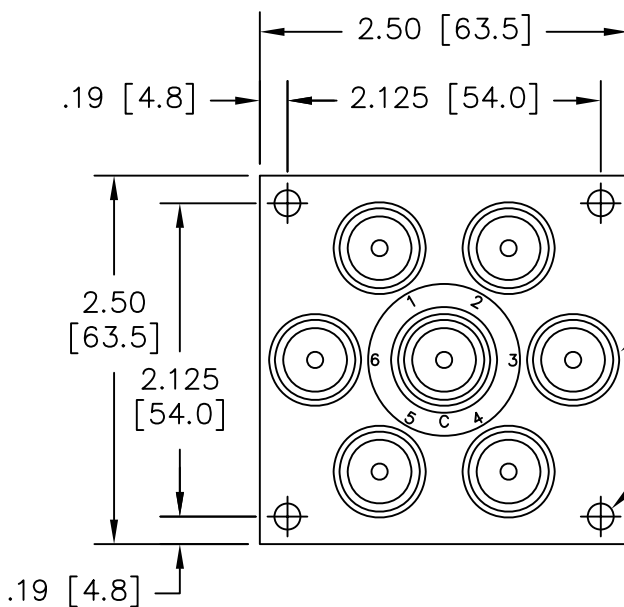
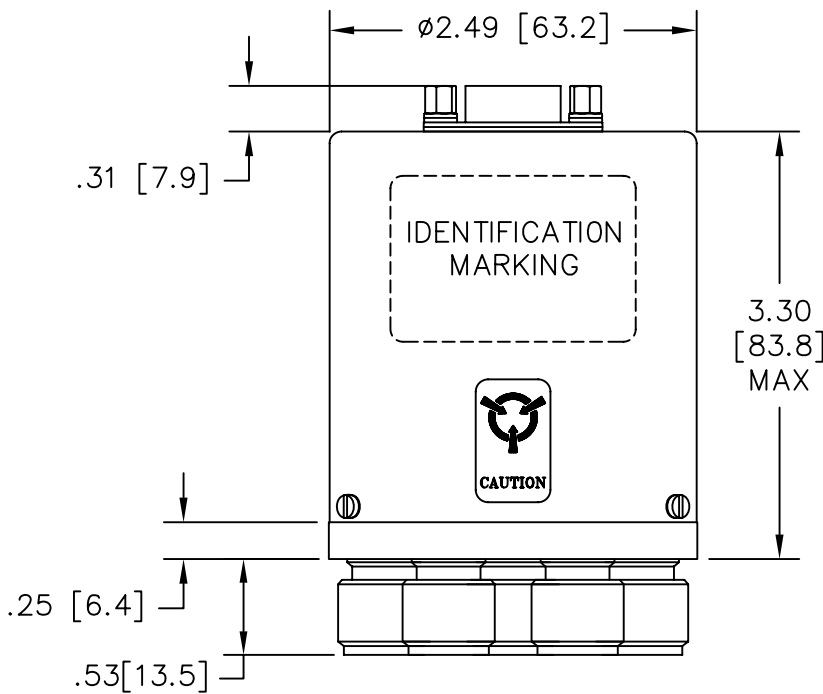
OUTLINE DRAWING:



3 POSITION



4 POSITION



7X N-FEMALE CONNECTORS
6X ON A $\phi 1.75$ [44.5] B.C.

4X $\phi .177$ [4.5] THRU

[] MILLIMETERS

UNLESS OTHERWISE SPECIFIED TOLERANCES ARE: .XXX $\pm .010$ ANGLES: $\pm 3^\circ$.XX $\pm .030$	CODE IDENT. NO. 00471	DWG. NO. 5X1JT-5X0102A	REV. B
	SCALE NONE	SHEET 2 OF 3	

SPECIFICATIONS:

1. RF CHARACTERISTICS:

1.1 FREQUENCY (GHz):	DC-4	4-8	8-12.4
1.2 VSWR (RATIO MAX.):	1.25:1	1.35:1	1.70:1
1.3 INSERTION LOSS (dB MAX.):	0.30	0.40	0.70
1.4 ISOLATION (dB MIN.):	70	60	55
1.5 RF POWER (WATTS CW MAX):	175	125	100

2. ACTUATION DATA:

2.1

NOMINAL VOLTAGE	OPERATING VOLTAGE	CURRENT (TYP) @ NOMINAL VOLTAGE & 25°C
12	11-14	100mA
24	20-28	65mA
28	24-32	56mA

2.2 SWITCHING TIME: 20ms MAX.

2.3 OPERATING MODE: NORMALLY OPEN, TTL-HI CONTROL

3. MECHANICAL:

3.1 RF CONTACTS: BREAK BEFORE MAKE

3.2 WEIGHT: 17oz. (482g.) NOMINAL

3.3 DESIGN LIFE: 1,000,000 CYCLES MIN

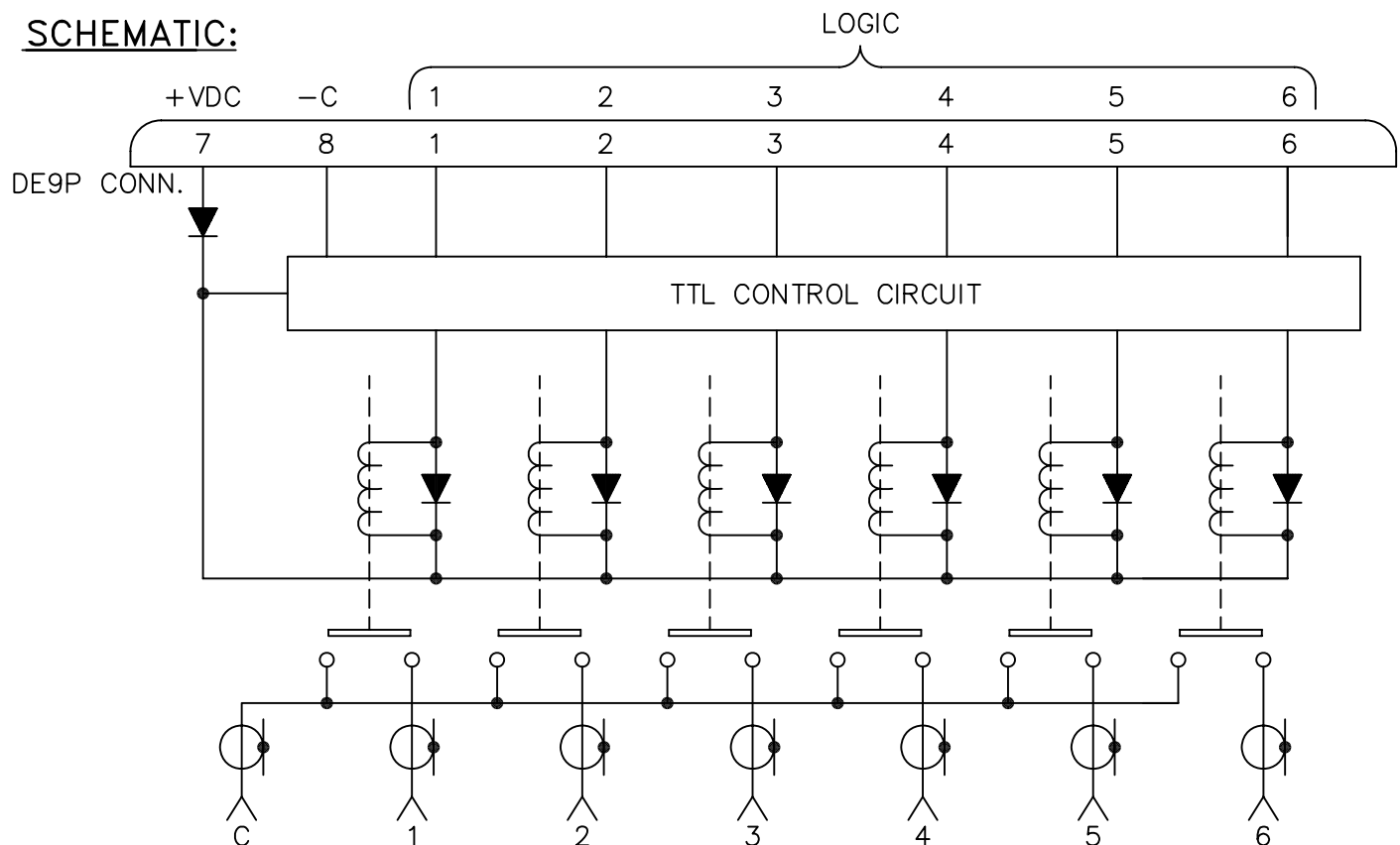
4. ENVIRONMENTAL:

4.1 OPERATING TEMPERATURE: -55°C TO +85°C

4.2 STORAGE TEMPERATURE: -55°C TO +85°C

4.3 SEAL: EPOXY SEALED

SCHMATIC:



LOGIC LOW (OFF) = 0-0.8Vdc
 LOGIC HIGH (ON) = 2.4-5.5Vdc

CODE IDENT. NO. 00471	DWG. NO. 5X1JT-5X0102A	REV. B
SCALE NONE	SHEET 3 OF 3	