

CONFIGURATION CONTROL	
LEVEL	EFFECTIVE DATE
0 <input checked="" type="checkbox"/>	_____
1 <input type="checkbox"/>	_____
2 <input type="checkbox"/>	_____
3 <input type="checkbox"/>	_____

REVISIONS			
REV.	DESCRIPTION	DATE	APPROVED
A	INITIAL RELEASE	981104	J.A.
B	REVISED PER ECO #6749	8/13/01	M.R.

Nominal Coil Voltage	Part Number		
	SP3T	SP4T	SP6T
12 Vdc	531A-520122A	541A-520122A	561A-520122A
24 Vdc	531A-580122A	541A-580122A	561A-580122A
28 Vdc	531A-530122A	541A-530122A	561A-530122A

REVISIONS	B	B	B			
SHEET NO.	1	2	3			
APPROVALS			DATE			
DRAWN	R. CANNY		981015			
ENG	S. LEE		981019			
ENG. MGR.	A. CHUENG		981022			
SALES MGR.						
Q.A. MGR.						
MFG. MGR.						



**DowKey®**  
**Microwave**  
CORPORATION

4822 McGrath Street  
Ventura, CA. 93003-5641  
PH: (805) 650-0260  
FAX: (805) 650-1734

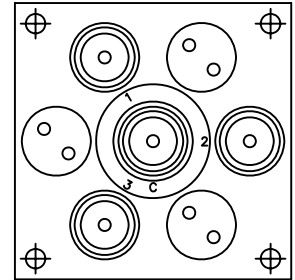
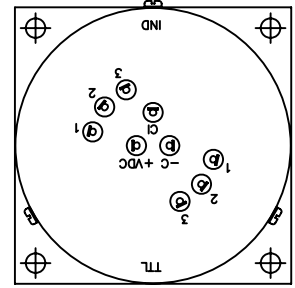
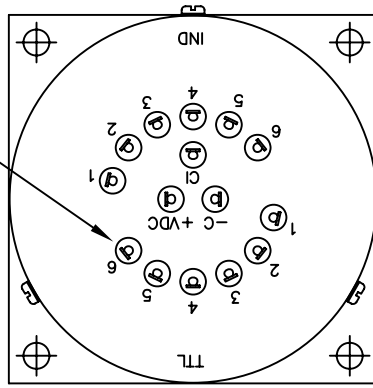
A **DOVER** TECHNOLOGIES COMPANY

SWITCH, 3-6 POSITION, NORMALLY OPEN  
HIGH POWER N-FEMALE CONNECTORS  
MECH. INDICATORS, TTL-HI CONTROL LOGIC

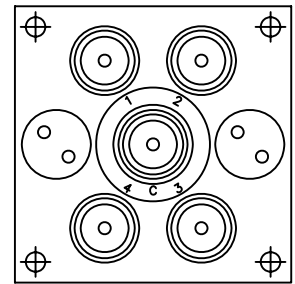
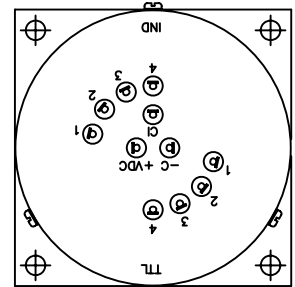
CODE IDENT. NO.	DWG. NO.
00471	5X1A-5X0122A
SCALE NONE	FINAL ASSY:
SHEET 1 OF 3	

**OUTLINE DRAWING:**

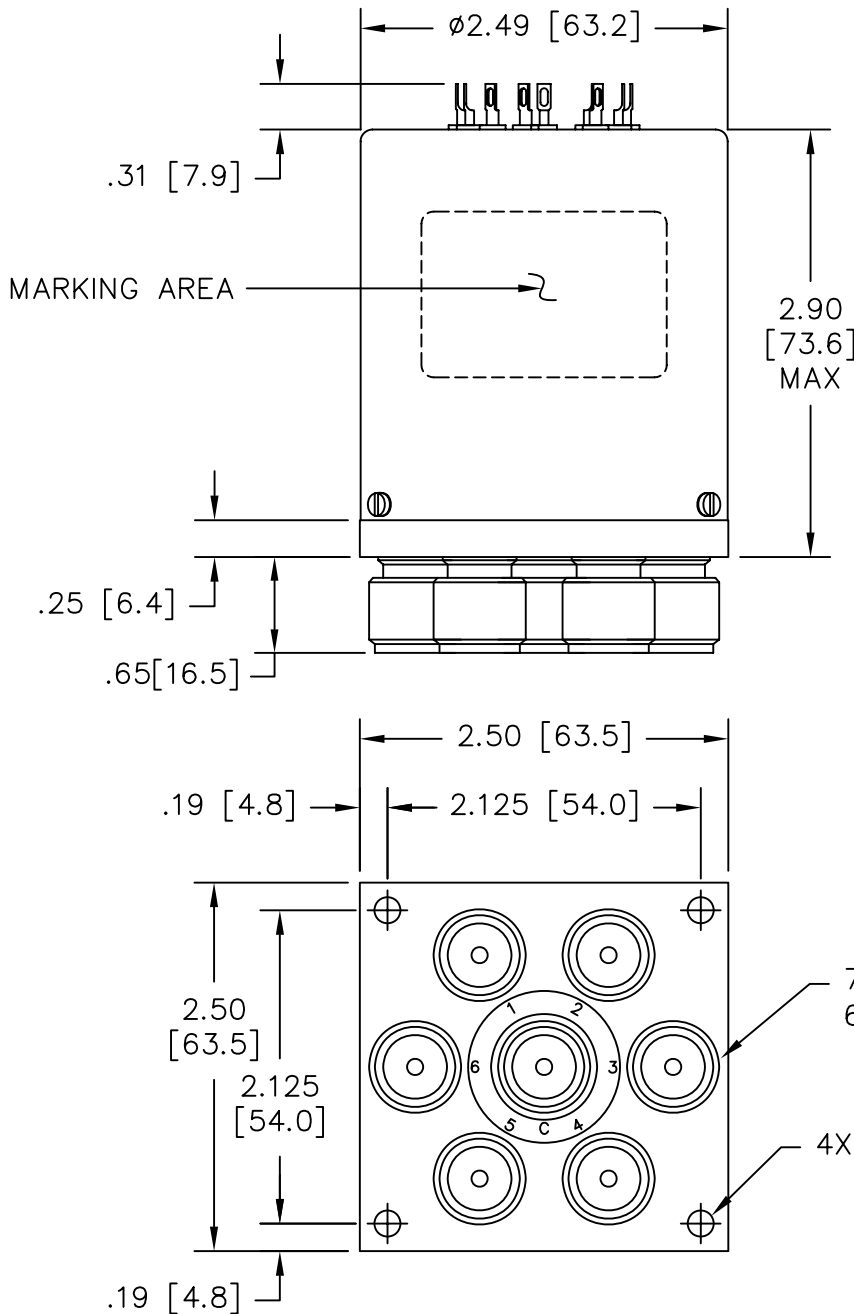
LOGIC TERMINALS  
 LOGIC LOW (OFF)  
 0-0.8Vdc  
 LOGIC HIGH (ON)  
 2.4-5.5Vdc



**3 POSITION**



**4 POSITION**



7X N-FEMALE CONNECTORS  
 6X ON A  $\phi 1.75$  [44.5] B.C.

4X  $\phi 0.177$  [4.5] THRU

[ ] MILLIMETERS

UNLESS OTHERWISE SPECIFIED TOLERANCES ARE: .XXX ±.010 ANGLES: ±3° .XX ±.030	CODE IDENT. NO. 00471	DWG. NO. 5X1A-5X0122A	REV. B
	SCALE NONE	SHEET 2 OF 3	

## SPECIFICATIONS:

### 1. RF CHARACTERISTICS:

1.1 FREQUENCY (GHz):	DC-4	4-8	8-12.4
1.2 VSWR (MAX.):	1.25:1	1.35:1	1.70:1
1.3 INSERTION LOSS (MAX.):	0.30dB	0.40dB	0.70dB
1.4 ISOLATION (MIN.):	70dB	60dB	55dB
1.5 RF POWER, WATTS (CW):	375	275	225

### 2. ACTUATION DATA:

2.1	NOMINAL VOLTAGE	OPERATING VOLTAGE	CURRENT (TYP)
			@ NOMINAL VOLTAGE & 25°C
	12	11-14	100mA
	24	20-28	65mA
	28	24-32	56mA

2.2 SWITCHING TIME: 20ms MAX.

2.3 OPERATING MODE: NORMALLY OPEN, TTL-HI CONTROL

### 3. MECHANICAL:

3.1 RF CONTACTS: BREAK BEFORE MAKE

3.2 WEIGHT, NOMINAL: 17oz. (482g.)

3.3 DESIGN LIFE (MIN.): 1,000,000 CYCLES

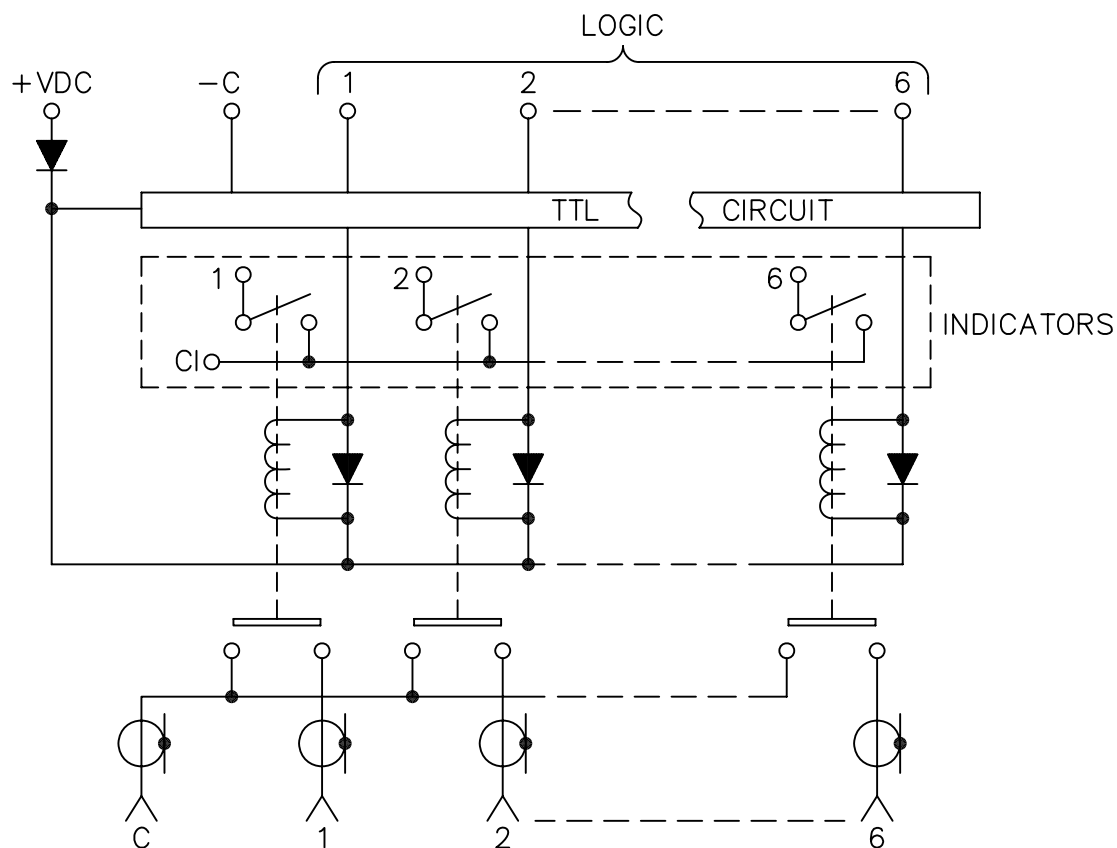
### 4. ENVIRONMENTAL:

4.1 OPERATING TEMPERATURE: -25°C TO +65°C

4.2 STORAGE TEMPERATURE: -55°C TO +85°C

4.3 SEAL: SAND AND DUST

## SCHMATIC:



LOGIC LOW (OFF) = 0-0.8Vdc  
 LOGIC HIGH (ON) = 2.4-5.5Vdc

CODE IDENT. NO. 00471	DWG. NO. 5X1A-5X0122A	REV. B
SCALE NONE	SHEET 3 OF 3	