

REVISIONS			
REV.	DESCRIPTION	DATE	APPROVED
A	PRODUCTION RELEASE	4/13/06	J.S.
B	REVISED PER ECO #9947	9/23/10	K.R.
C	REVISED PER ECO 10835	6/5/14	K.R.

Nominal Coil Voltage	Part Number
12 Vdc	5C1J-420853A
15 Vdc	5C1J-490853A
24 Vdc	5C1J-480853A
28 Vdc	5C1J-430853A

REVISIONS	C	C	C			
SHEET NO.	1	2	3			
APPROVALS			DATE			
DRAWN	S. LEE		3/27/06			
ENG	G. NICKLAUS		3/28/06			
ENG. MGR.	R. SZNUK		3/28/06			
SALES MGR.	L. NEELEY		3/28/06			
Q.A. MGR.	N. SANDERS		4/6/06			
MFG. MGR.	R. GONZALEZ		3/28/06			



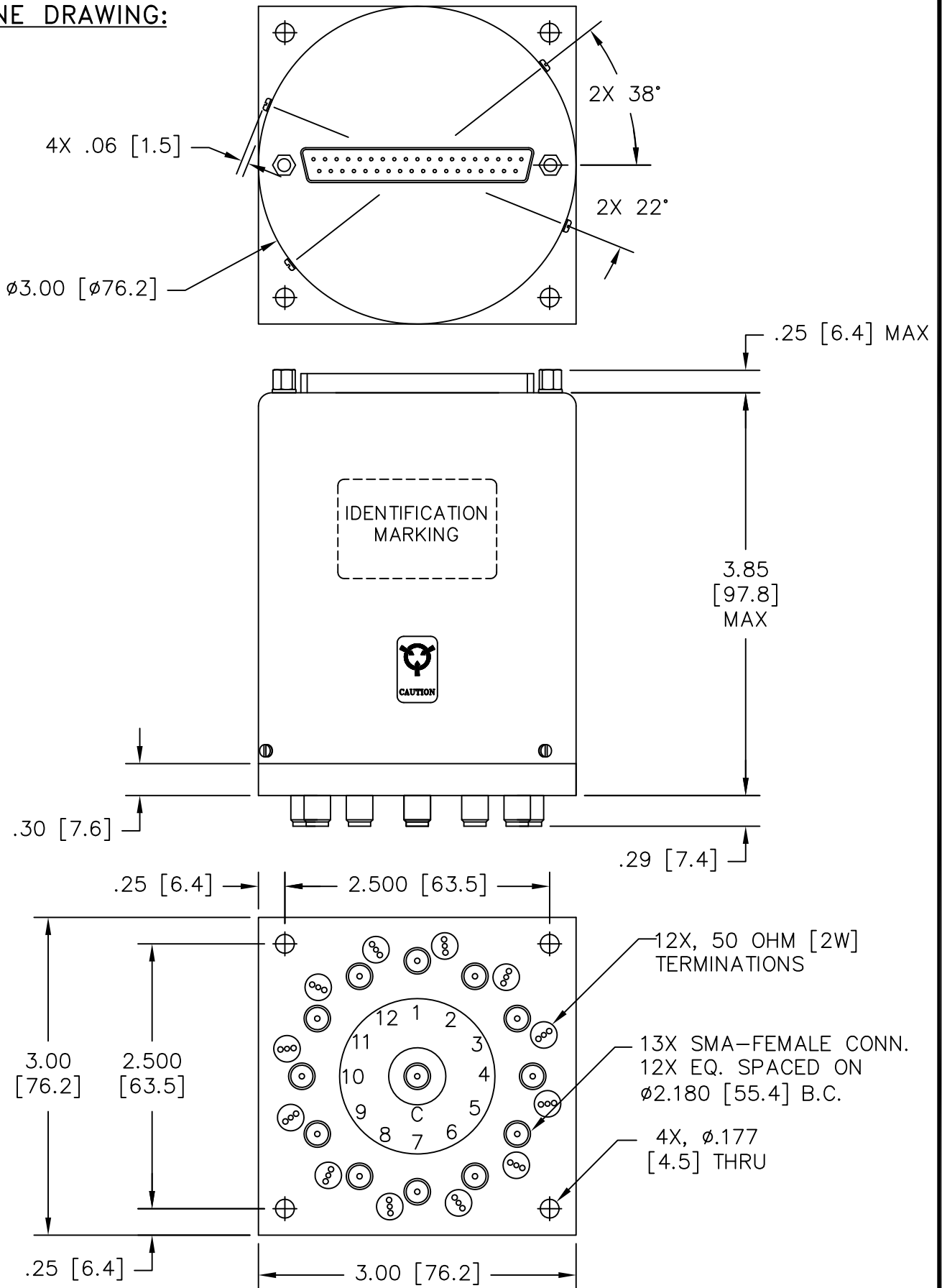
**DowKey®**  
**Microwave**  
CORPORATION

4822 McGrath Street  
Ventura, CA. 93003-5641  
PH: (805) 650-0260  
FAX: (805) 650-1734

A **DOVER** TECHNOLOGIES COMPANY

SWITCH, 12 POSITION, LATCHING SELF CUT-OFF SMA-FEMALE CONNECTORS, OPTICAL INDICATORS 50 OHM [2W] TERM., TTL-HI, DB37P DC CONN.		
CODE IDENT. NO.	DWG. NO.	
00471	5C1J-4X0853A	
SCALE NONE	FINAL ASSY:	SHEET 1 OF 3

OUTLINE DRAWING:



[ ] MILLIMETERS

UNLESS OTHERWISE SPECIFIED TOLERANCES ARE:  
 .XXX  $\pm .010$  ANGLES:  $\pm 3^\circ$   
 .XX  $\pm .030$

CODE IDENT. NO.  
00471

DWG. NO.

5C1J-4X0853A

REV.  
C

SCALE NONE

SHEET 2 OF 3

# SPECIFICATIONS:

## 1. RF CHARACTERISTICS:

1.1 FREQUENCY (GHz):	DC-4	4-8	8-12.4	12.4-18
1.2 VSWR (RATIO MAX):	1.20:1	1.40:1	1.50:1	1.80:1
1.3 INSERTION LOSS (dB MAX):	0.20	0.40	0.60	0.80
1.4 ISOLATION (dB MIN):	70	65	60	60
1.5 RF POWER (WATTS CW MAX):	100	70	60	50

## 2. ACTUATION DATA:

2.1

NOMINAL VOLTAGE	OPERATING VOLTAGE	CURRENT (MAX) @ NOMINAL VOLTAGE & 25°C
12	11-14	600mA
15	13-17	350mA
24	20-28	230mA
28	24-32	260mA

2.2 SWITCHING TIME:

30ms MAX

2.3 OPERATING MODE:

LATCHING, SELF CUT-OFF, TTL-HI CONTROL  
INPUTS ARE TRIGGERED BY RISING EDGE OF TTL INPUT

2.4 BIAS CURRENT:

15mA MAX

## 3. MECHANICAL:

3.1 RF CONTACTS:

BREAK BEFORE MAKE

3.2 WEIGHT:

17oz. (482g.) NOMINAL

3.3 DESIGN LIFE:

1,000,000 CYCLES MIN

## 4. ENVIRONMENTAL:

4.1 OPERATING TEMPERATURE:

-25°C TO +65°C

4.2 STORAGE TEMPERATURE:

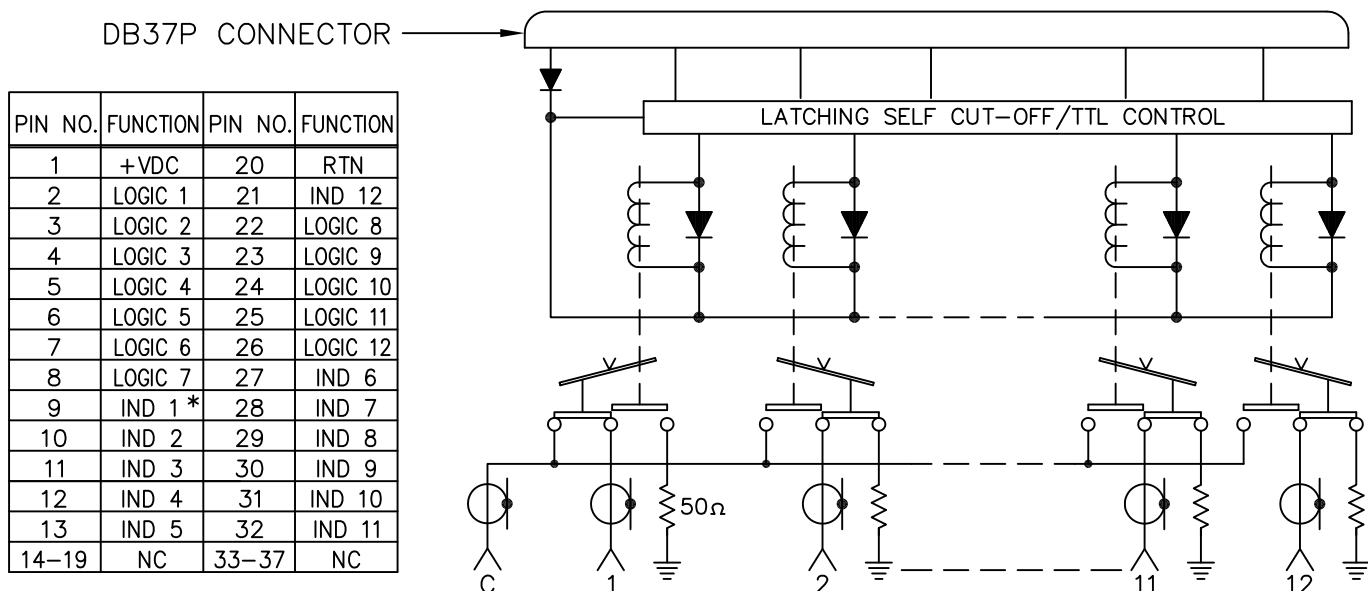
-55°C TO +85°C

4.3 SEAL:

SAND AND DUST

## SCHEMATIC:

SCHEMATIC SHOWN WITH POSITION 1 SELECTED



\* THE INDICATORS ARE TTL LOGIC LEVEL SIGNALS. THE SELECTED POSITION INDICATOR WILL BE A LOGIC HI.

(ON) LOGIC HI "1" = 3.0-5.5Vdc  
(OFF) LOGIC LO "0" = 0-0.8Vdc

CODE IDENT. NO. 00471	DWG. NO. 5C1J-4X0853A	REV. C
SCALE NONE	SHEET 3 OF 3	