
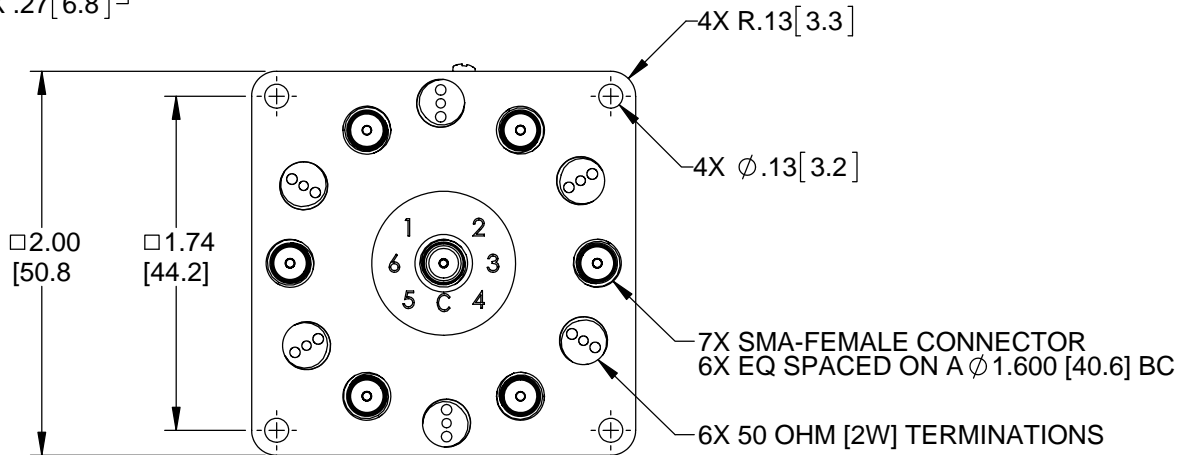
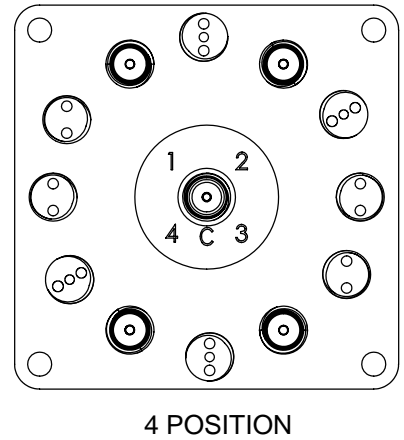
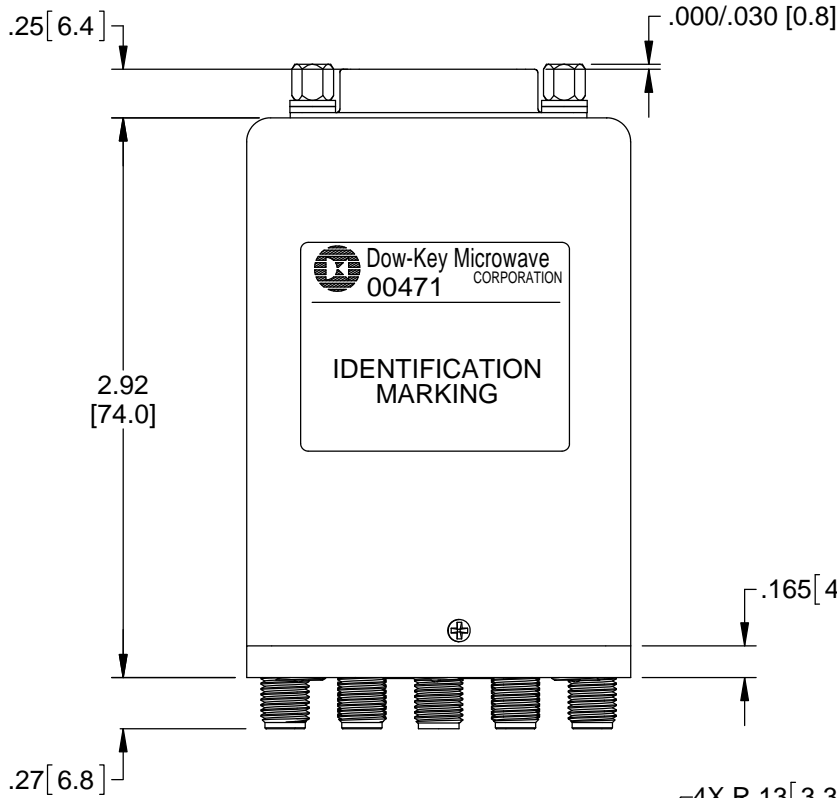
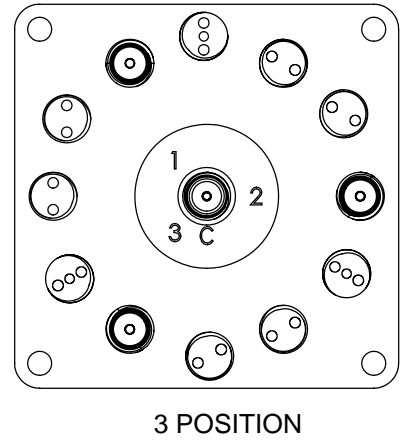
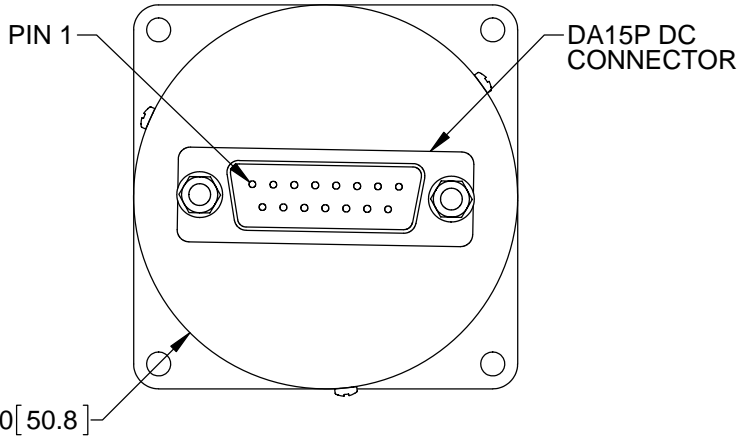


REVISIONS			
REV.	DESCRIPTION	DATE	APPROVED
A	PRODUCTION RELEASE	7/10/08	K.R.
B	REVISED PER ECO 11416	3/3/16	K.R.

Nominal Coil Voltage	Part Number		
	SP3T	SP4T	SP6T
12 Vdc	431JL-520803	441JL-520803	461JL-520803
15 Vdc	431JL-590803	441JL-590803	461JL-590803
24 Vdc	431JL-580803	441JL-580803	461JL-580803
28 Vdc	431JL-530803	441JL-530803	461JL-530803

REVISIONS	B	B	B				 DowKey[®] Microwave CORPORATION <small>A DOVER TECHNOLOGIES COMPANY</small>	4822 McGrath Street Ventura, CA. 93003-5641 PH: (805) 650-0260 FAX: (805) 650-1734
SHEET NO.	1	2	3					
APPROVALS			DATE			SWITCH, 3-6 POSITION, NORMALLY OPEN SMA-FEMALE CONNECTOR, FLANGE MOUNT 50 OHM [2W] TERMINATIONS, DA15P DC CONNECTOR		
DRAWN			DATE					
ENGINEERING			DATE					
QUALITY			DATE					
MANUFACTURING			DATE					
			CODE IDENT. NO.			DWG. NO.		
			00471			4X1JL-5X0803		
			SCALE NONE			FINAL ASSY: 461JL-530803		
						SHEET 1 OF 3		

OUTLINE DRAWING:



[] MILLIMETERS

UNLESS OTHERWISE SPECIFIED TOLERANCES ARE: .XXX ±.010 ANGLES: ±3° .XX ±.030	CODE IDENT. NO. 00471	DWG. NO. 4X1JL-5X0803	REV. B
	SCALE NONE	FINAL ASSY: 461JL-530803	SHEET 2 OF 3

SPECIFICATION:

1.0 RF CHARACTERISTICS:

1.1 FREQUENCY (GHz)	DC - 4	4 - 8	8 - 12.4	12.4 - 18
1.2 VSWR (RATIO MAX)	1.20:1	1.30:1	1.40:1	1.50:1
1.3 INSERTION LOSS (dB MAX)	0.20	0.30	0.40	0.50
1.4 ISOLATION (dB MIN)	80	70	65	60
1.5 RF POWER (WATTS CW MAX) AT SEA LEVEL, +25°C, LOAD VSWR 1:1	125	90	75	60
1.6 IMPEDANCE (NOMINAL)	50 OHMS			

2.0 ACTUATION DATA:

2.1	NOMINAL VOLTAGE	OPERATING VOLTAGE	CURRENT (NOMINAL) @ NOMINAL VOLTAGE & 25°C
	12	11-14	345mA
	15	13-17	300mA
	24	20-28	200mA
	28	24-32	160mA

2.2 SWITCHING TIME 15mS MAX
2.3 OPERATING MODE NORMALLY OPEN

3.0 MECHANICAL:

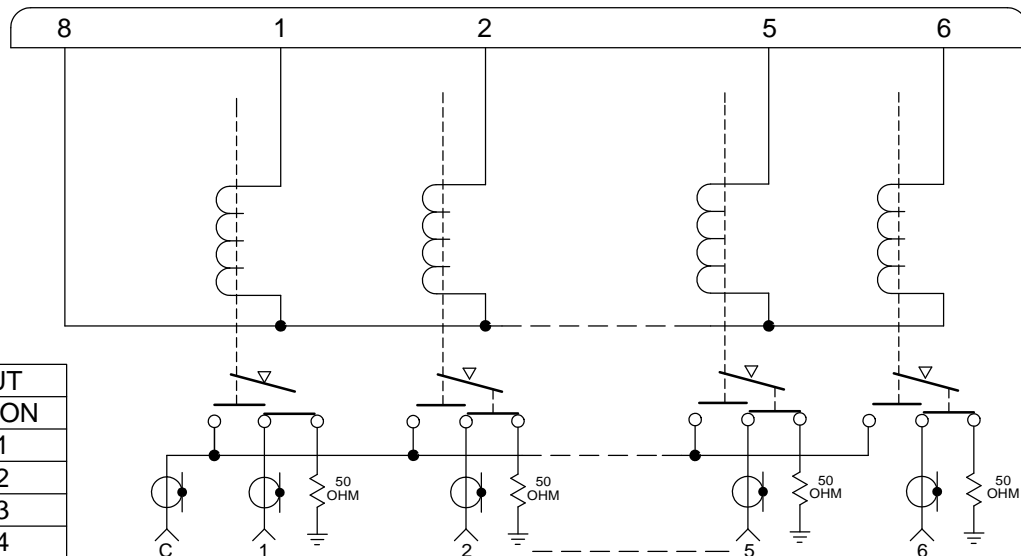
3.1 CONTACT ARRANGEMENT SP6T
3.2 RF CONTACTS BREAK BEFORE MAKE
3.3 WEIGHT 8.8oz (250g) NOMINAL
3.4 DESIGN LIFE 1,000,000 CYCLES MINIMUM

4.0 ENVIRONMENTAL:

4.1 OPERATING TEMPERATURE -25°C TO +65°C
4.2 STORAGE TEMPERATURE -55°C TO +85°C
4.3 SEAL: SAND AND DUST

SCHMATIC:

SWITCH SHOWN IN THE NORMALLY OPEN POSITION
TERMINALS ARE NOT POLARITY SENSITIVE



DA15P PIN-OUT	
PIN	FUNCTION
1	POS 1
2	POS 2
3	POS 3
4	POS 4
5	POS 5
6	POS 6
7	NO CONNECT
8	COMMON
9 - 15	NO CONNECT

CODE IDENT. NO. 00471	DWG. NO. 4X1JL-5X0803	REV. B
SCALE NONE	FINAL ASSY: 461JL-530803	SHEET 3 OF 3