

REVISIONS			
REV.	DESCRIPTION	DATE	APPROVED
A	PRODUCTION RELEASE	12/13/11	K.R.

Nominal Coil Voltage	Part Number		
	SP3T	SP4T	SP6T
12 Vdc	431CST-520823A	441CST-520823A	461CST-520823A
15 Vdc	431CST-590823A	441CST-590823A	461CST-590823A
24 Vdc	431CST-580823A	441CST-580823A	461CST-580823A
28 Vdc	431CST-530823A	441CST-530823A	461CST-530823A

REVISIONS	A	A	A			
SHEET NO.	1	2	3			
APPROVALS		DATE				
DRAWN SARA LEE		12/07/11				
ENGINEERING G. NICKLAUS		12/12/11				
QUALITY A. LYNCH		12/13/11				
MANUFACTURING J.LEE		12/13/11				



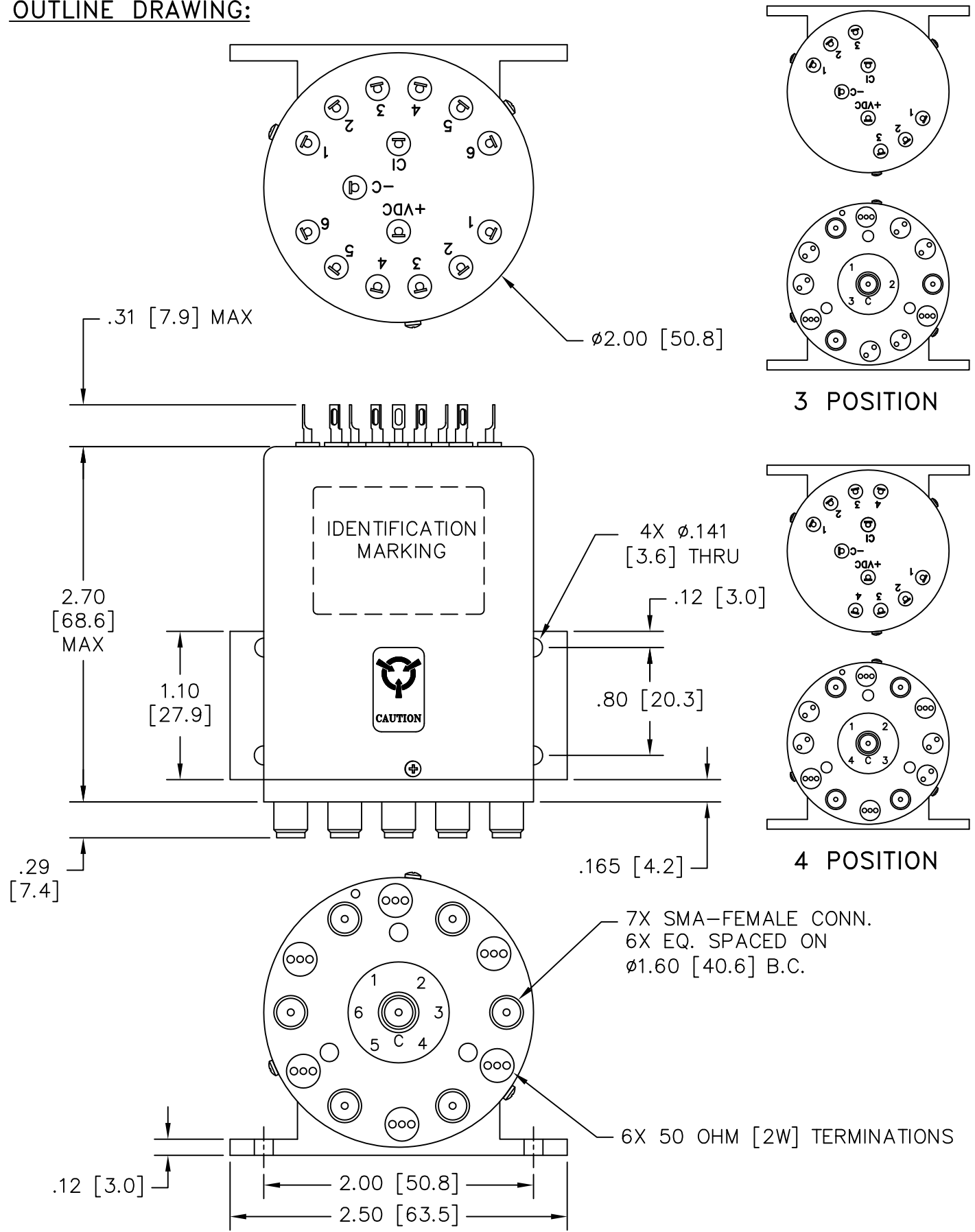
**DowKey®**  
**Microwave**  
CORPORATION

4822 McGrath Street  
Ventura, CA. 93003-5641  
PH: (805) 650-0260  
FAX: (805) 650-1734

A **DOVER** TECHNOLOGIES COMPANY

SWITCH, 3-6 POSITION, NORMALLY OPEN, TTL SMA-FEMALE CONNECTORS, INDICATORS, EPOXY SEAL, 50 OHM [2W] TERM., MTG BRACKET, -55°C to +85°C		
CODE IDENT. NO. 00471	DWG. NO. 4X1CST-5X0823A	
SCALE NONE	FINAL ASSY:	SHEET 1 OF 3

**OUTLINE DRAWING:**



[ ] MILLIMETERS

UNLESS OTHERWISE SPECIFIED TOLERANCES ARE: .XXX ±.010 ANGLES: ±3' .XX ±.030	CODE IDENT. NO. 00471	DWG. NO. 4X1CST-5X0823A	REV. A
	SCALE NONE	SHEET 2 OF 3	

# SPECIFICATIONS:

## 1. RF CHARACTERISTICS:

1.1 FREQUENCY (GHz):	DC-4	4-8	8-12.4	12.4-18
1.2 VSWR (RATIO MAX):	1.20:1	1.30:1	1.40:1	1.50:1
1.3 INSERTION LOSS (dB MAX):	0.20	0.30	0.40	0.50
1.4 ISOLATION (dB MIN):	85	75	70	60
1.5 RF POWER (WATTS CW MAX):	100	50	35	25

## 2. ACTUATION DATA:

2.1

NOMINAL VOLTAGE	OPERATING VOLTAGE	CURRENT (TYP) @ NOMINAL VOLTAGE & 25°C
12	11-14	445mA
15	13-17	350mA
24	20-28	220mA
28	24-32	190mA

2.2 SWITCHING TIME: 15ms MAX  
2.3 OPERATING MODE: NORMALLY OPEN

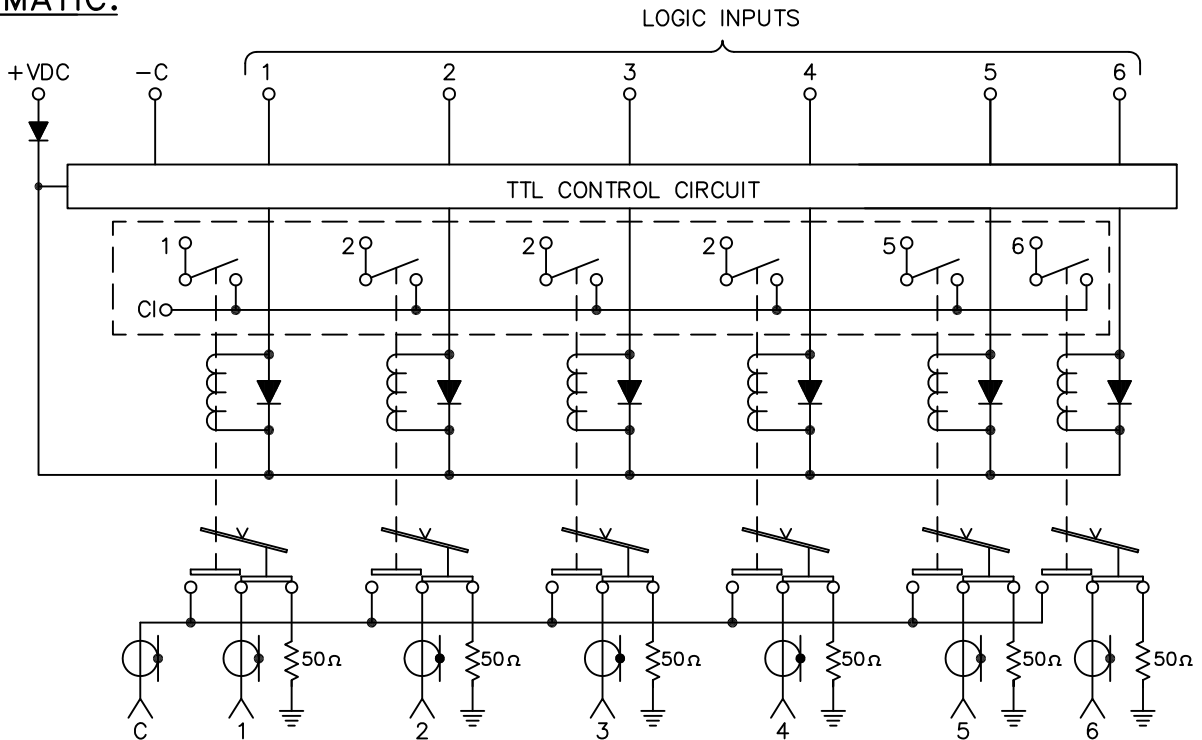
## 3. MECHANICAL:

3.1 RF CONTACTS:	BREAK BEFORE MAKE
3.2 WEIGHT:	9.0oz. (255g.) NOMINAL
3.3 DESIGN LIFE:	1,000,000 CYCLES MIN

## 4. ENVIRONMENTAL:

4.1 OPERATING TEMPERATURE:	-55°C TO +85°C
4.2 STORAGE TEMPERATURE:	-55°C TO +85°C
4.3 SEAL:	EPOXY SEAL

# SCHMATIC:



LOGIC LO (OFF) = 0-0.8 VDC  
LOGIC HI (ON) = 2.4-5.5 VDC

SCHEMATIC SHOWN IN NORMALLY OPEN POSITION.

CODE IDENT. NO. 00471	DWG. NO. 4X1CST-5X0823A	REV. A
SCALE NONE	SHEET 3 OF 3	