
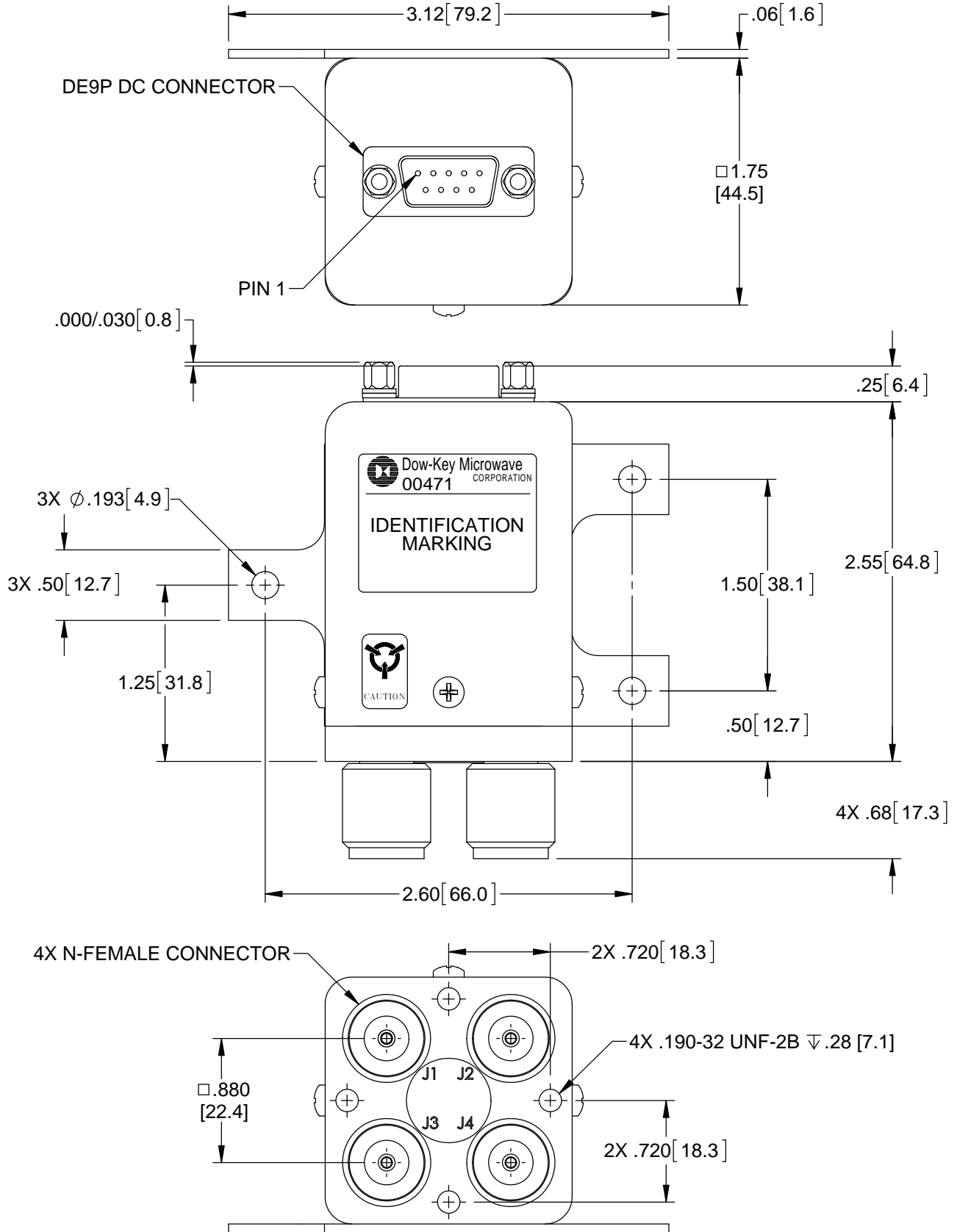


REVISIONS			
REV.	DESCRIPTION	DATE	APPROVED
A	PRODUCTION RELEASE	7/18/17	K.R.

Nominal Coil Voltage	Part Number
12 Vdc	412AJT-420132
15 Vdc	412AJT-490132
24 Vdc	412AJT-480132
28 Vdc	412AJT-430132

APPROVALS		DATE		 <b>DowKey<sup>®</sup> Microwave CORPORATION</b> <small>A DOVER TECHNOLOGIES COMPANY</small>	4822 McGrath Street Ventura, CA. 93003-5641 PH: (805) 650-0260 FAX: (805) 650-1734	
DRAWN		07/10/17			<b>SWITCH, TRANSFER, LATCHING SELF CUT-OFF          HI-POWER, N-FEMALE CONNECTORS, INDICATORS          DE9P DC CONNECTOR, EXTENDED TEMPERATURE</b>	
SARA LEE						
ENGINEERING		7/17/2017				
J. WESSELY						
QUALITY		7/18/2017		CODE IDENT. NO.	DWG. NO.	
S. LYNCH				<b>00471</b>	<b>412AJT-4X0132</b>	
MANUFACTURING		7/18/2017		SCALE NONE	SHEET 1 OF 3	
J. LEE						

# OUTLINE DRAWING:



[ ] MILLIMETERS

UNLESS OTHERWISE SPECIFIED TOLERANCES ARE: .XXX ±.010 ANGLES: ±3° .XX ±.030	CODE IDENT. NO. <b>00471</b>	DWG. NO. <b>412AJT-4X0132</b>	REV. <b>A</b>
	SCALE NONE	SHEET 2 OF 3	

# SPECIFICATION:

## 1.0 RF CHARACTERISTICS:

1.1 FREQUENCY (GHz)	DC - 1	1 - 2	2 - 4	4 - 8	8 - 12.4
1.2 VSWR (RATIO MAX)	1.15:1	1.20:1	1.25:1	1.45:1	1.60:1
1.3 INSERTION LOSS (dB MAX)	0.15	0.20	0.25	0.40	0.60
1.4 ISOLATION (dB MIN)	85	80	70	60	60
1.5 RF POWER (WATTS CW MAX) AT SEA LEVEL, +40°C, LOAD VSWR 1:1	1000	775	550	400	350
1.6 IMPEDANCE (NOMINAL)	50 OHMS				

## 2.0 ACTUATION DATA:

2.1	NOMINAL VOLTAGE	OPERATING VOLTAGE	CURRENT (NOMINAL) @ NOMINAL VOLTAGE & 25°C
	12	11-14	300mA
	15	13-17	250mA
	24	20-28	225mA
	28	24-32	175mA

2.2 SWITCHING TIME 20mS MAX  
2.3 OPERATING MODE LATCHING SELF CUT-OFF

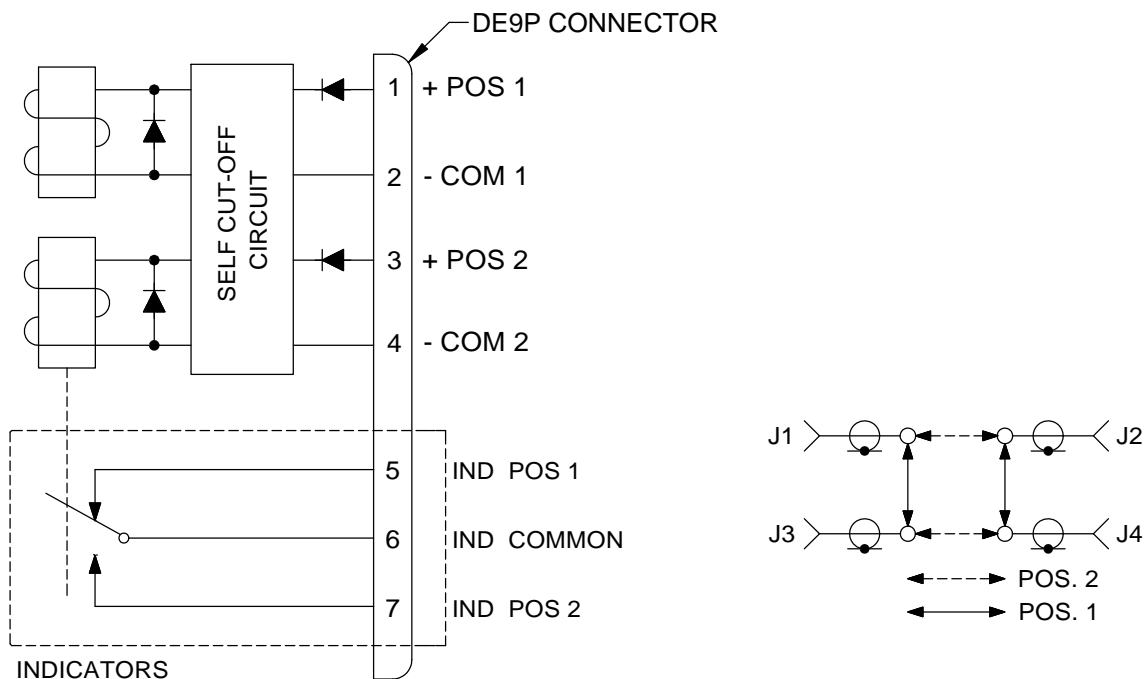
## 3.0 MECHANICAL:

3.1 CONTACT ARRANGEMENT TRANSFER  
3.2 RF CONTACTS BREAK BEFORE MAKE  
3.3 WEIGHT 10.5oz (298g) NOMINAL  
3.4 DESIGN LIFE 1,000,000 CYCLES MINIMUM

## 4.0 ENVIRONMENTAL:

4.1 OPERATING TEMPERATURE -55°C TO +85°C  
4.2 STORAGE TEMPERATURE -55°C TO +85°C  
4.3 SEAL: EPOXY SEAL

# SCHEMATIC:



CODE IDENT. NO. <b>00471</b>	DWG. NO. <b>412AJT-4X0132</b>	REV. <b>A</b>
SCALE NONE	SHEET 3 OF 3	