
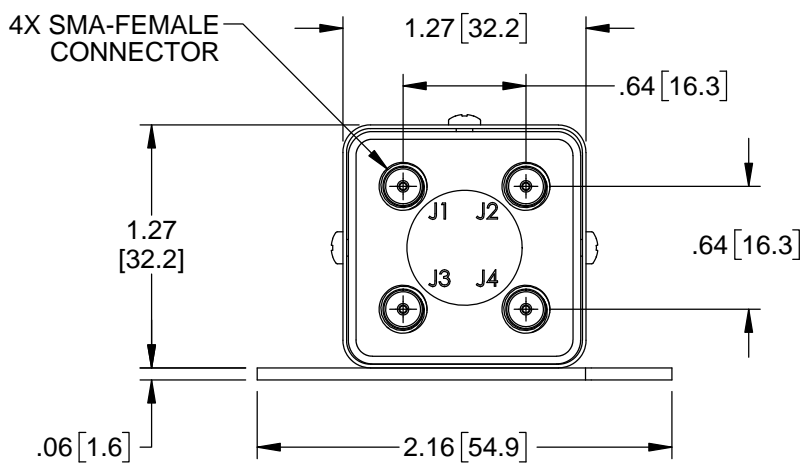
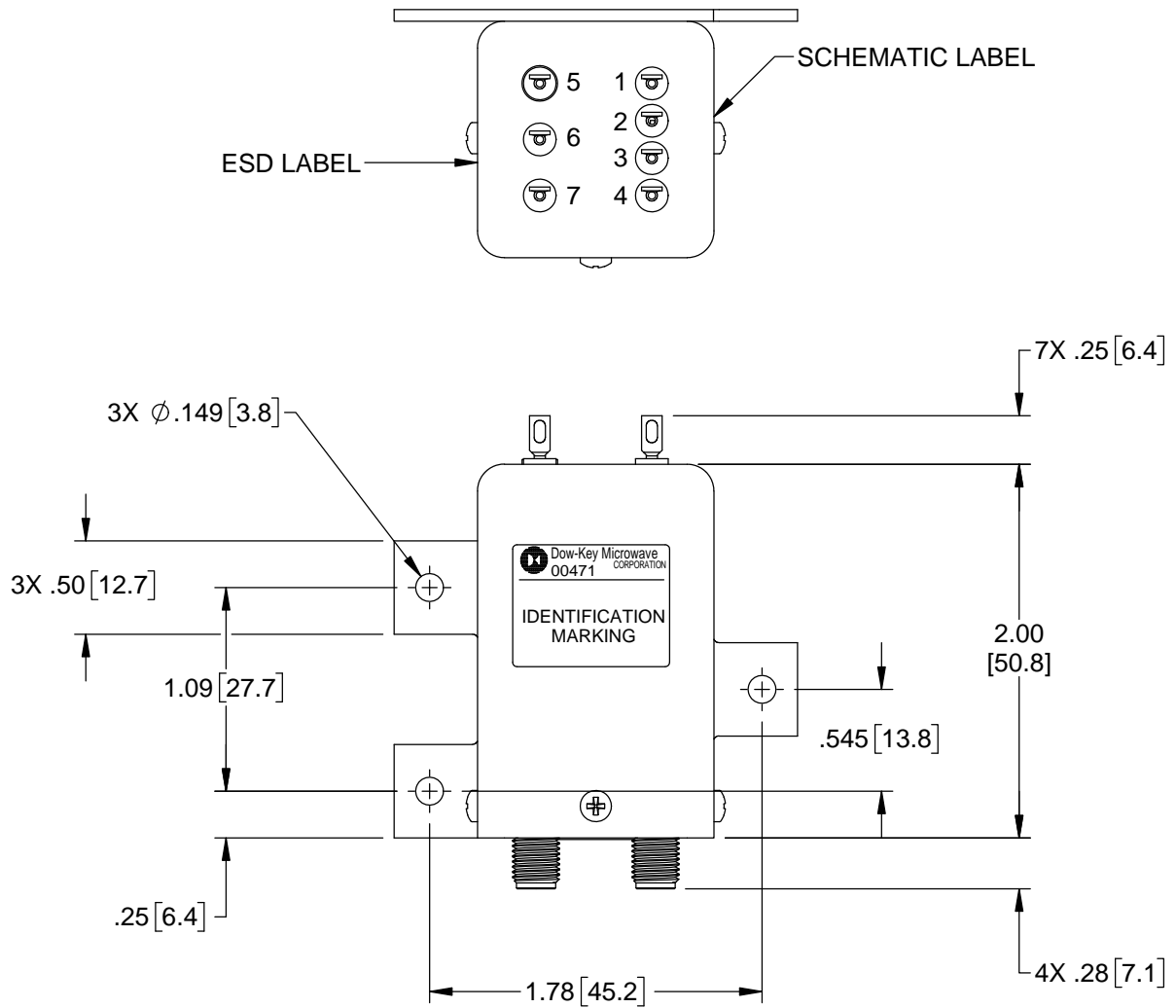


REVISIONS			
REV.	DESCRIPTION	DATE	APPROVED
C	REVISED PER ECO 9635	6/30/09	S.L.
D	REVISED PER ECO 12030	11/1/18	K.R.

Nominal Coil Voltage	Part Number
12 Vdc	411C-420832A
15 Vdc	411C-490832A
24 Vdc	411C-480832A
28 Vdc	411C-430832A
48 Vdc	411C-440832A

APPROVALS	DATE	 <b>DowKey<sup>®</sup> Microwave CORPORATION</b> <small>A DOVER TECHNOLOGIES COMPANY</small>	4822 McGrath Street Ventura, CA. 93003-5641 PH: (805) 650-0260 FAX: (805) 650-1734			
DRAWN SARA LEE	10/23/18		<b>SWITCH, TRANSFER, LATCHING SELF CUT-OFF SMA-FEMALE CONNECTORS, INDICATORS TTL CONTROL, MOUNTING BRACKET</b>			
ENGINEERING T. STRASBURGER	10/31/2018					
QUALITY R.DAHLBERG	10/31/2018				CODE IDENT. NO. <b>00471</b>	DWG. NO. <b>411C-4X0832A</b>
MANUFACTURING R. GARCIA	10/31/2018				SCALE NONE	SHEET 1 OF 3

# OUTLINE DRAWING:



[ ] MILLIMETERS

UNLESS OTHERWISE SPECIFIED TOLERANCES ARE: .XXX ±.010 ANGLES: ±3° .XX ±.030	CODE IDENT. NO. <b>00471</b>	DWG. NO. <b>411C-4X0832A</b>	REV. <b>D</b>
	SCALE NONE	SHEET 2 OF 3	

# SPECIFICATION:

## 1.0 RF CHARACTERISTICS:

1.1 FREQUENCY (GHz)	DC - 1	1 - 4	4 - 8	8 - 12	12 - 18
1.2 VSWR (RATIO MAX)	1.10:1	1.20:1	1.30:1	1.35:1	1.40:1
1.3 INSERTION LOSS (dB MAX)	0.10	0.20	0.30	0.35	0.40
1.4 ISOLATION (dB MIN)	85	80	70	65	60
1.5 RF POWER (WATTS CW MAX) AT SEA LEVEL, +40°C, LOAD VSWR 1:1	225	125	90	75	60
1.6 IMPEDANCE (NOMINAL)	50 OHMS				

## 2.0 ACTUATION DATA:

2.1	NOMINAL VOLTAGE	OPERATING VOLTAGE	CURRENT (NOMINAL) @ NOMINAL VOLTAGE & 25°C
	12	11-14	300mA
	15	13-17	270mA
	24	20-28	165mA
	28	24-32	130mA
	48	44-52	175mA

2.2 SWITCHING TIME: 20mS MAX  
 2.3 OPERATING MODE: LATCHING SELF CUT-OFF

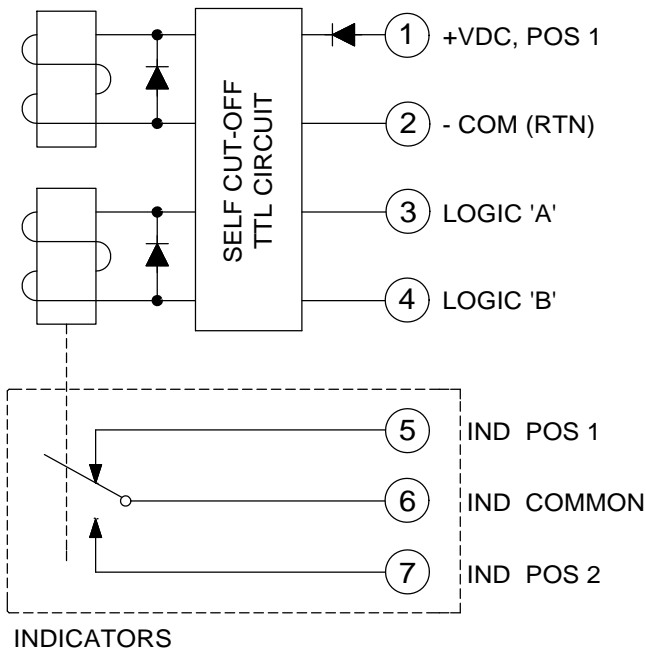
## 3.0 MECHANICAL:

3.1 CONTACT ARRANGEMENT: TRANSFER  
 3.2 RF CONTACTS: BREAK BEFORE MAKE  
 3.3 WEIGHT: 3.2oz (91g) NOMINAL  
 3.4 DESIGN LIFE: 1,000,000 CYCLES MINIMUM

## 4.0 ENVIRONMENTAL:

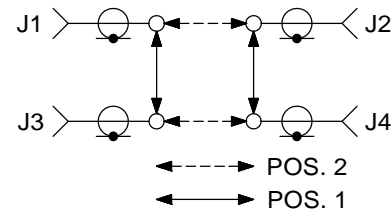
4.1 OPERATING TEMPERATURE: -25°C TO +65°C  
 4.2 STORAGE TEMPERATURE: -55°C TO +85°C  
 4.3 SEAL: SAND AND DUST

# SCHEMATIC:



RF PATH	INDICATOR PATH	LOGIC 'A'	LOGIC 'B'
J1-J3 / J2-J4	COM - 1	1	0
J1-J2 / J3-J4	COM - 2	0	1

LOGIC "1" = 2.4 Vdc - 5.5 Vdc  
 LOGIC "0" = 0.0 Vdc - 0.8 Vdc



CODE IDENT. NO. <b>00471</b>	DWG. NO. <b>411C-4X0832A</b>	REV. <b>D</b>
SCALE NONE	SHEET 3 OF 3	