

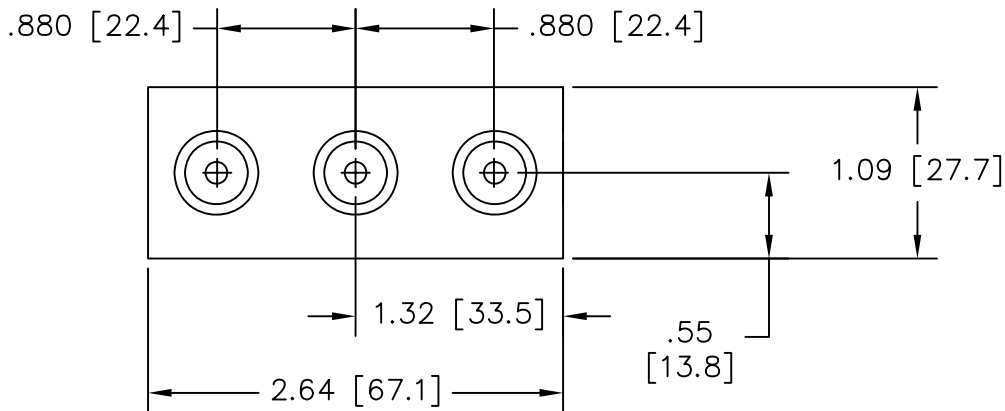
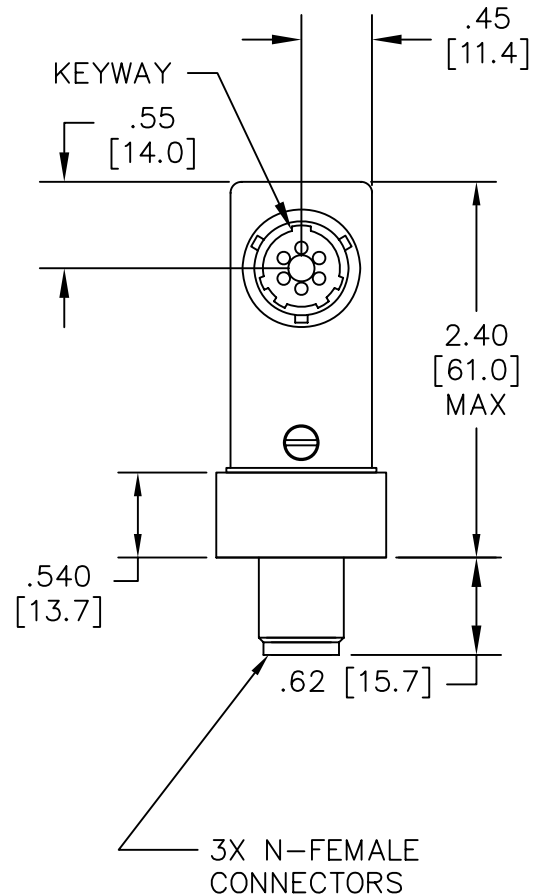
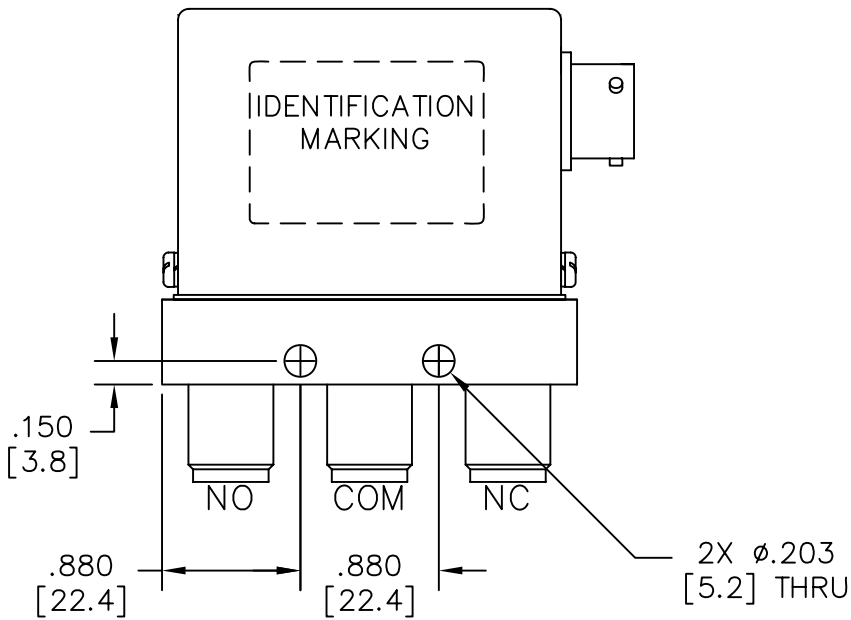
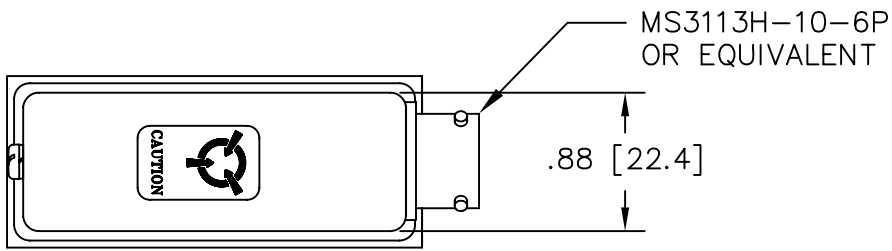


REVISIONS			
REV.	DESCRIPTION	DATE	APPROVED
A	PRODUCTION RELEASE	10/3/01	M.R.
B	REVISED PER ECO #8742	9/21/06	A.L.

Nominal Coil Voltage	Part Number
12 Vdc	402PS-620132
15 Vdc	402PS-690132
20 Vdc	402PS-670132
24 Vdc	402PS-680132
28 Vdc	402PS-630132

REVISIONS	B	B	B				 DowKey[®] Microwave CORPORATION	4822 McGrath Street Ventura, CA. 93003-5641 PH: (805) 650-0260 FAX: (805) 650-1734
SHEET NO.	1	2	3					
APPROVALS			DATE				 A-DOVER TECHNOLOGIES COMPANY	SWITCH, SPDT, FAILSAFE, SUPPRESSION DIODE N-FEMALE CONNECTORS, MECH. INDICATORS, MS3113H-10-6P CONNECTOR, GASKET SEAL
DRAWN	S. LEE		9/21/01					
ENG	S. LEE		9/25/01					
ENG. MGR.	R. SZNUK		9/26/01					
SALES MGR.	J. TRUJILLO		10/3/01					
Q.A. MGR.	S. EVERETT		10/3/01					
MFG. MGR.	M. MARTINEZ		10/3/01				CODE IDENT. NO. 00471	DWG. NO. 402PS-6X0132
SCALE			NONE			FINAL ASSY:		SHEET 1 OF 3

OUTLINE DRAWING:



[] MILLIMETERS

UNLESS OTHERWISE SPECIFIED TOLERANCES ARE:
.XXX ±.010 ANGLES: ±3°
.XX ±.030

CODE IDENT. NO.
00471

DWG. NO.

402PS-6X0132

REV.
B

SCALE NONE

SHEET 2 OF 3

SPECIFICATIONS:

1. RF CHARACTERISTICS:

1.1 FREQUENCY (GHz):	DC-1	1-2	2-4	4-8	8-12.4
1.2 VSWR (RATIO MAX.):	1.15:1	1.20:1	1.25:1	1.45:1	1.50:1
1.3 INSERTION LOSS (dB MAX.):	.15	.20	.25	.45	.50
1.4 ISOLATION (dB MIN.):	85	80	70	60	60
1.5 RF POWER (WATTS CW MAX):	600	400	300	200	175

2. ACTUATION DATA:

2.1	NOMINAL VOLTAGE	OPERATING VOLTAGE	CURRENT (TYP) @ NOMINAL VOLTAGE & 25°C
	12Vdc	11-14	260mA
	15Vdc	13-17	230mA
	20Vdc	17-23	180mA
	24Vdc	20-28	145mA
	28Vdc	24-32	110mA

- 2.2 SWITCHING TIME: 20mS MAX.
 2.3 OPERATING MODE: FAILSAFE, SUPPRESION DIODE

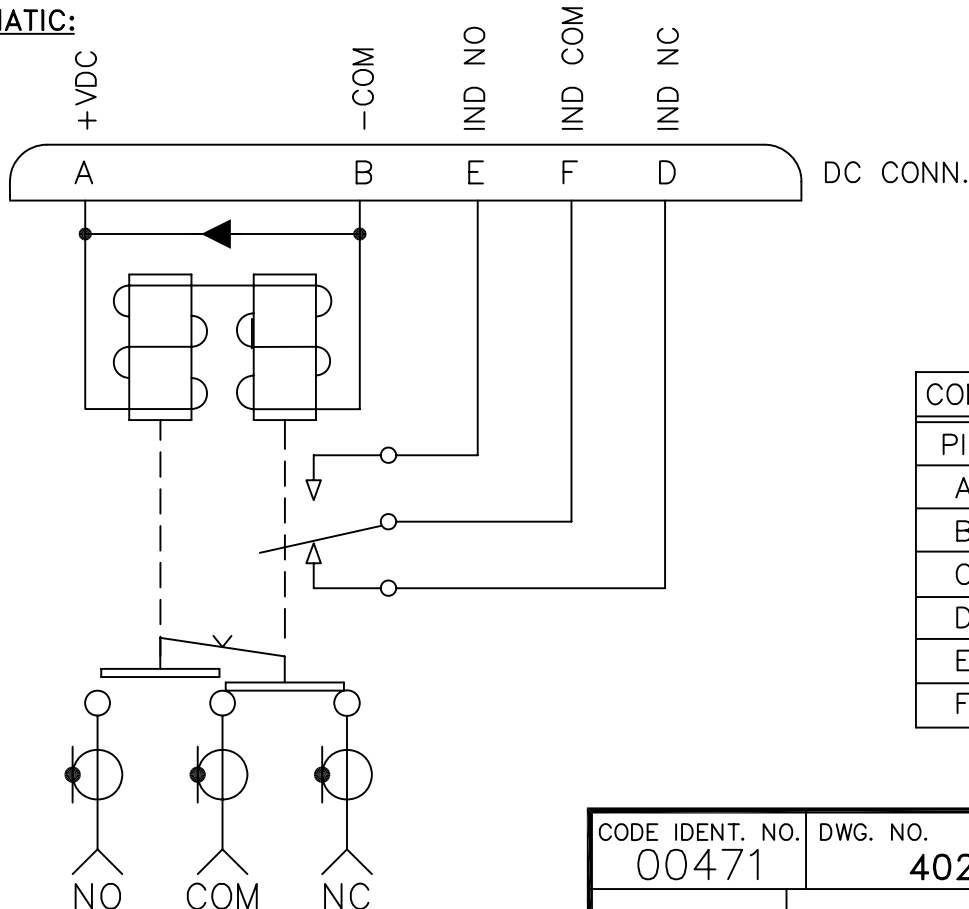
3. MECHANICAL:

- 3.1 RF CONTACTS: BREAK BEFORE MAKE
 3.2 WEIGHT: 9.0oz. (260g.) NOMINAL
 3.3 DESIGN LIFE: 1,000,000 CYCLES MIN

4. ENVIRONMENTAL:

- 4.1 OPERATING TEMPERATURE: -25°C TO +65°C
 4.2 STORAGE TEMPERATURE: -55°C TO +85°C
 4.3 SEAL: GASKET

SCHEMATIC:



CONNECTOR PINOUT	
PIN	FUNCTION
A	+VDC
B	-COM
C	SPARE
D	IND NC
E	IND NO
F	IND COM

CODE IDENT. NO. 00471	DWG. NO. 402PS-6X0132	REV. B
SCALE NONE	SHEET 3 OF 3	