
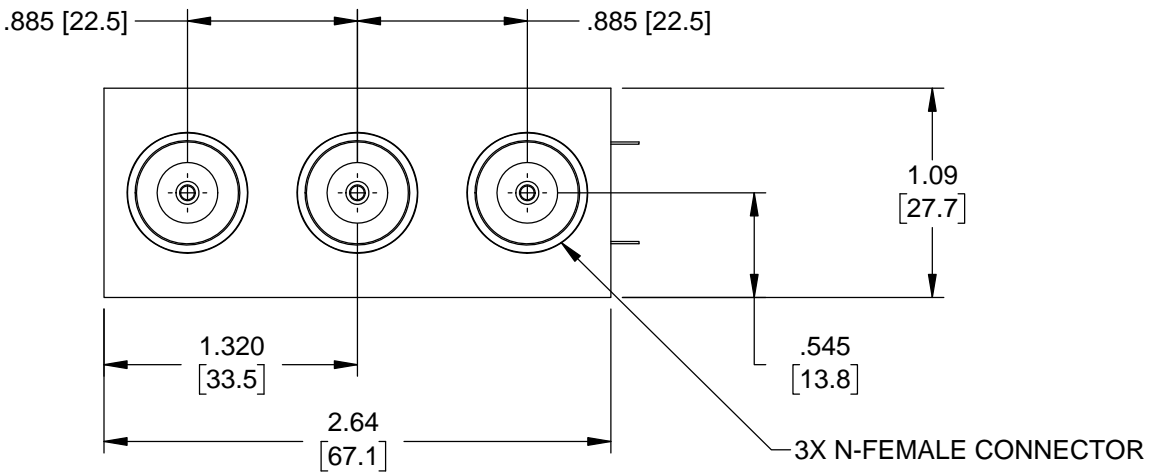
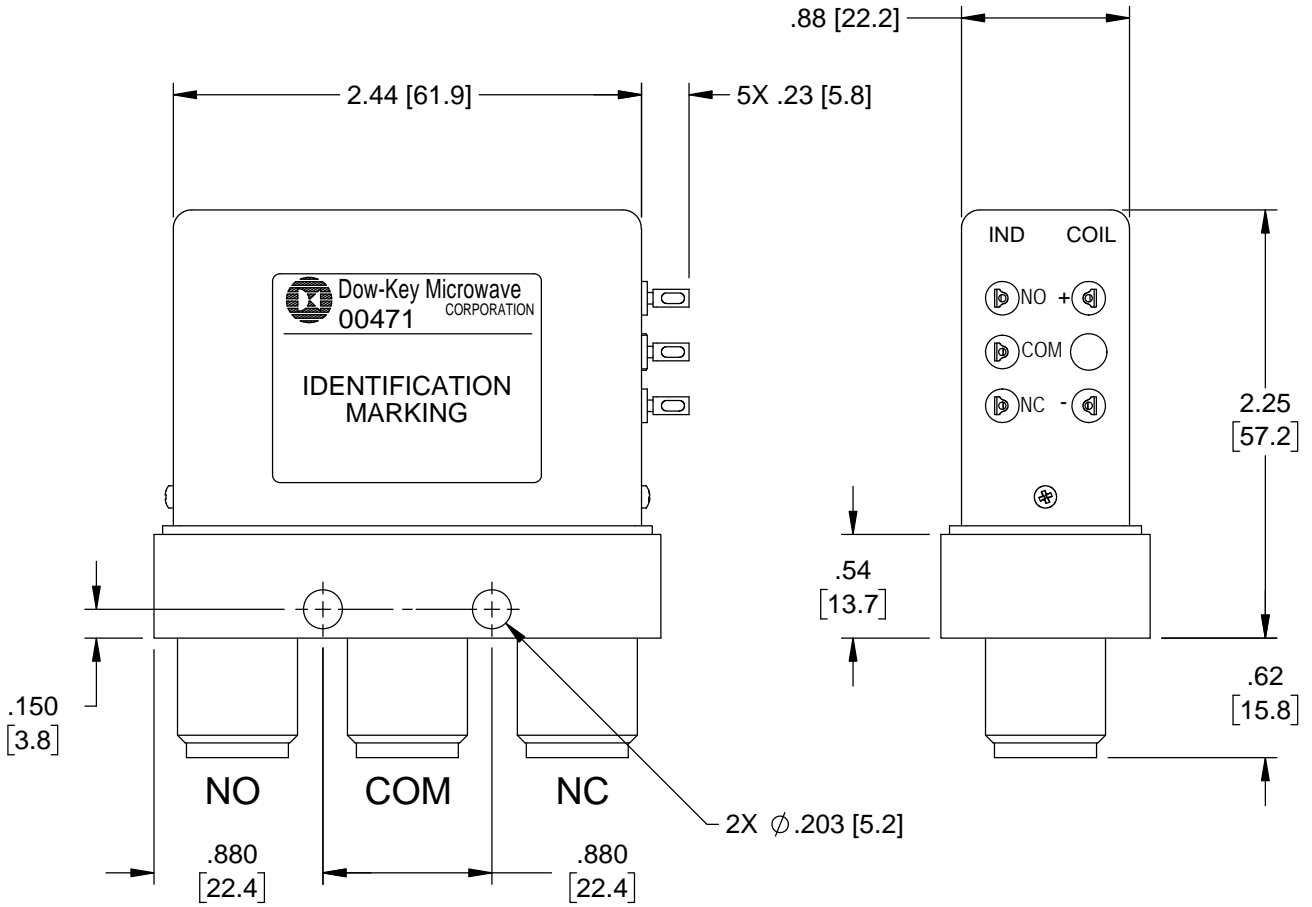


REVISIONS			
REV.	DESCRIPTION	DATE	APPROVED
E	REVISED PER ECO 10408	7/25/12	K.R.
F	REVISED PER ECO 11790	11/14/17	K.R.

Nominal Coil Voltage	Part Number
12 Vdc	402A-220132
15 Vdc	402A-290132
24 Vdc	402A-280132
28 Vdc	402A-230132
48 Vdc	402A-240132

APPROVALS	DATE	 DowKey[®] Microwave CORPORATION <small>A JOVEER TECHNOLOGIES COMPANY</small>		4822 McGrath Street Ventura, CA. 93003-5641 PH: (805) 650-0260 FAX: (805) 650-1734
DRAWN		SWITCH, SPDT, HI-POWER, FAILSAFE N-FEMALE CONNECTORS, INDICATORS		
SARA LEE	11/07/17			
ENGINEERING		CODE IDENT. NO.	DWG. NO.	
T. STRASBURGER	11/7/2017	00471	402A-2X0132	
QUALITY		SCALE	NONE	SHEET 1 OF 3
S. LYNCH	11/13/2017			
MANUFACTURING				
R. GARCIA	11/14/2017			

OUTLINE DRAWING:



[] MILLIMETERS

UNLESS OTHERWISE SPECIFIED TOLERANCES ARE: .XXX ±.010 ANGLES: ±3° .XX ±.030	CODE IDENT. NO. 00471	DWG. NO. 402A-2X0132	REV. F
	SCALE NONE	SHEET 2 OF 3	

SPECIFICATION:

1.0 RF CHARACTERISTICS:

1.1 FREQUENCY (GHz)	DC - 1	1 - 2	2 - 4	4 - 8	8 - 12.4
1.2 VSWR (RATIO MAX)	1.15:1	1.20:1	1.25:1	1.45:1	1.60:1
1.3 INSERTION LOSS (dB MAX)	0.15	0.20	0.25	0.40	0.60
1.4 ISOLATION (dB MIN)	85	80	70	60	60
1.5 RF POWER (WATTS CW MAX) AT SEA LEVEL, +40°C, LOAD VSWR 1:1	1000	775	550	400	350
1.6 IMPEDANCE (NOMINAL)	50 OHMS				

2.0 ACTUATION DATA:

2.1	NOMINAL VOLTAGE	OPERATING VOLTAGE	CURRENT (NOMINAL) @ NOMINAL VOLTAGE & 25°C
	12	11-14	260mA
	15	13-17	230mA
	24	20-28	145mA
	28	24-32	110mA
	48	42-54	70mA

2.2 SWITCHING TIME 20mS MAX
 2.3 OPERATING MODE FAILSAFE

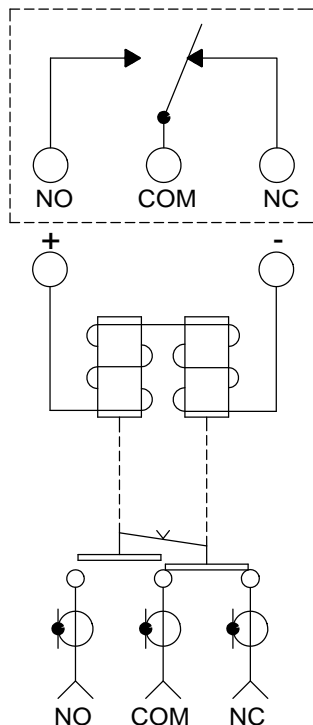
3.0 MECHANICAL:

3.1 CONTACT ARRANGEMENT SPDT
 3.2 RF CONTACTS BREAK BEFORE MAKE
 3.3 WEIGHT 7.6oz (215g) NOMINAL
 3.4 DESIGN LIFE 1,000,000 CYCLES MINIMUM

4.0 ENVIRONMENTAL:

4.1 OPERATING TEMPERATURE -25°C TO +65°C
 4.2 STORAGE TEMPERATURE -55°C TO +85°C
 4.3 SEAL: GASKET

SCHEMATIC:



SWITCH SHOWN IN THE DE-ENERGIZED POSITION

CODE IDENT. NO. 00471	DWG. NO. 402A-2X0132	REV. F
SCALE NONE	SHEET 3 OF 3	