

REVISIONS			
REV.	DESCRIPTION	DATE	APPROVED
A	PRODUCTION RELEASE	5/26/09	K.R.

Nominal Coil Voltage	Part Number
12 Vdc	401KT-620832
15 Vdc	401KT-690832
24 Vdc	401KT-680832
28 Vdc	401KT-630832

REVISIONS	A	A	A			
SHEET NO.	1	2	3			
APPROVALS			DATE			
DRAWN	S. LEE		5/21/09			
ENG	S. LEE		5/21/09			
ENG. MGR.	G. NICKLAUS		5/21/09			
SALES MGR.	A. CHEUNG		5/22/09			
Q.A. MGR.	S. LYNCH		5/26/09			
MFG. MGR.	R. GONZALEZ		5/26/09			



DowKey®
Microwave
CORPORATION

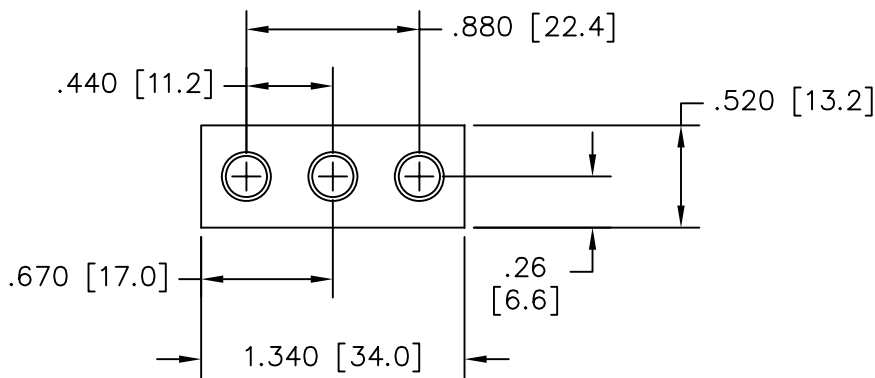
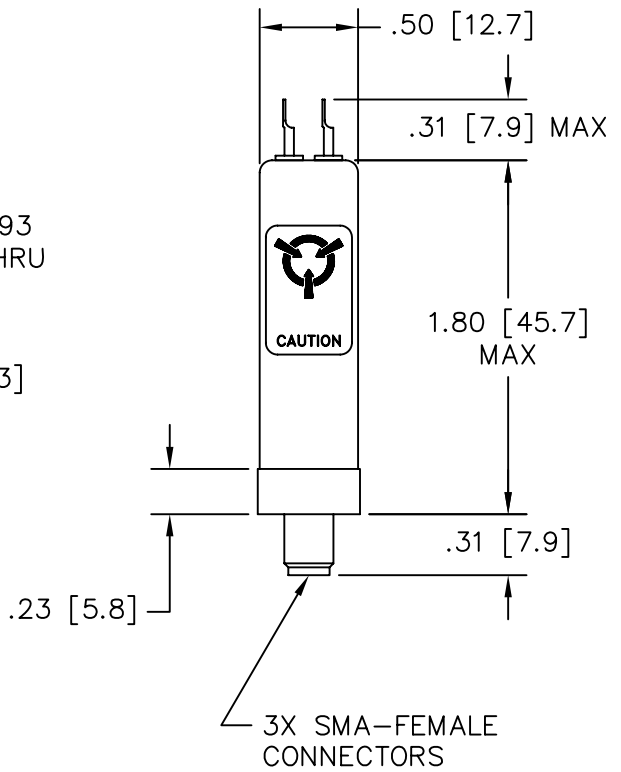
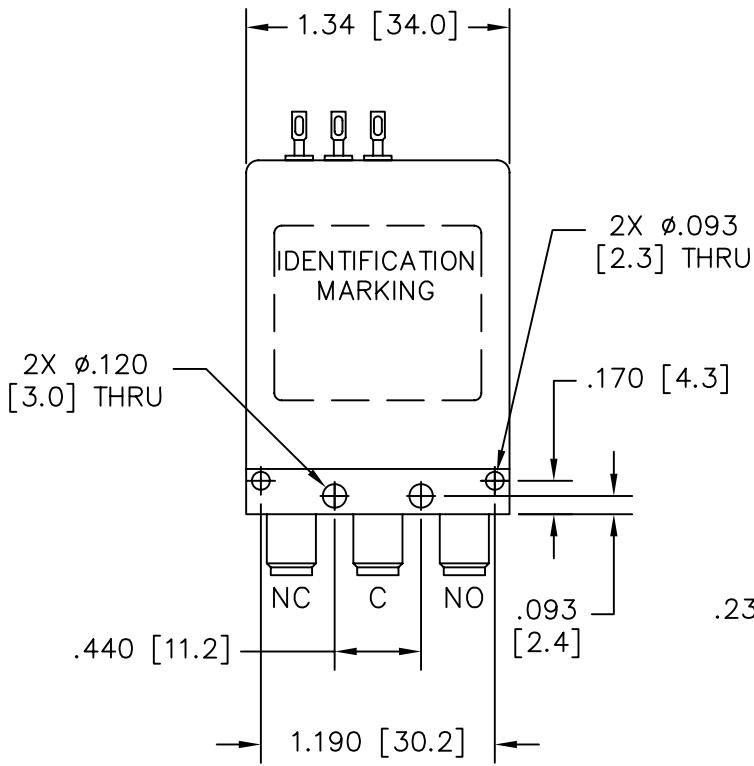
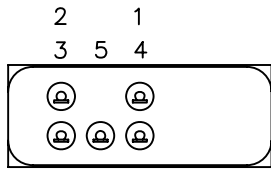
4822 McGrath Street
Ventura, CA. 93003-5641
PH: (805) 650-0260
FAX: (805) 650-1734

A **DOVER** TECHNOLOGIES COMPANY

SWITCH, SPDT, FAILSAFE, SUPPRESSION DIODE,
SMA-FEMALE CONNECTORS, INDICATORS
26 GHZ, EPOXY SEALED, -55°C TO +85°C

CODE IDENT. NO.	DWG. NO.	SCALE	NONE	FINAL ASSY:	SHEET 1 OF 3
00471	401KT-6X0832				

OUTLINE DRAWING:



[] MILLIMETERS

UNLESS OTHERWISE SPECIFIED TOLERANCES ARE:
 .XXX ±.010 ANGLES: ±3°
 .XX ±.030

CODE IDENT. NO.
 00471

DWG. NO.
 401KT-6X0832

REV.
 A

SCALE NONE

SHEET 2 OF 3

SPECIFICATIONS:

1. RF CHARACTERISTICS:

1.1 FREQUENCY (GHz):	DC-1	1-4	4-8	8-12	12-18	18-26.5
1.2 VSWR (RATIO MAX):	1.10:1	1.15:1	1.20:1	1.30:1	1.35:1	1.50:1
1.3 INSERTION LOSS (dB MAX):	0.10	0.15	0.20	0.30	0.35	0.50
1.4 ISOLATION (dB MIN):	85	80	70	65	60	55
1.5 RF POWER (WATTS CW MAX):	200	125	90	75	60	50

2. ACTUATION DATA:

2.1	NOMINAL VOLTAGE	OPERATING VOLTAGE	CURRENT (TYP)
			@ NOMINAL VOLTAGE & 25°C
	12	11-14	185mA
	15	13-17	160mA
	24	20-28	120mA
	28	24-32	90mA

2.2 SWITCHING TIME: 15ms MAX

2.3 OPERATING MODE: FAILSAFE

3. MECHANICAL:

3.1 RF CONTACTS:	BREAK BEFORE MAKE
3.2 WEIGHT:	2.5oz. (71g.) NOMINAL
3.3 DESIGN LIFE:	1,000,000 CYCLES MIN

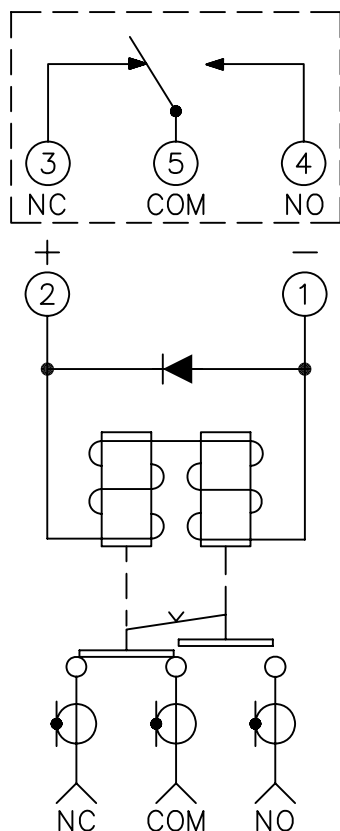
4. ENVIRONMENTAL:

4.1 OPERATING TEMPERATURE: -55°C TO +85°C

4.2 STORAGE TEMPERATURE: -55°C TO +85°C

4.3 SEAL: EPOXY SEALED

SCHMATIC:



CODE IDENT. NO. 00471	DWG. NO. 401KT-6X0832	REV. A
SCALE NONE	SHEET 3 OF 3	