

# Low-PIM Duplexer 1710-1755 / 2110-2170 (Band 10) — WSD-00731

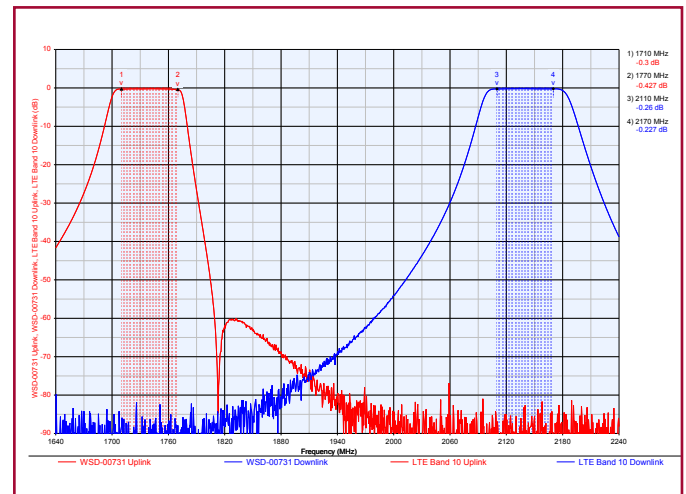
Low-PIM, High Power TEM Duplexer Routes (Splits/Combines) TX/RX Signals

## ◆ Applications:

- DAS Networks for Indoor/Outdoor Applications
- Test Equipment
- Base Stations

## ◆ Technical Data

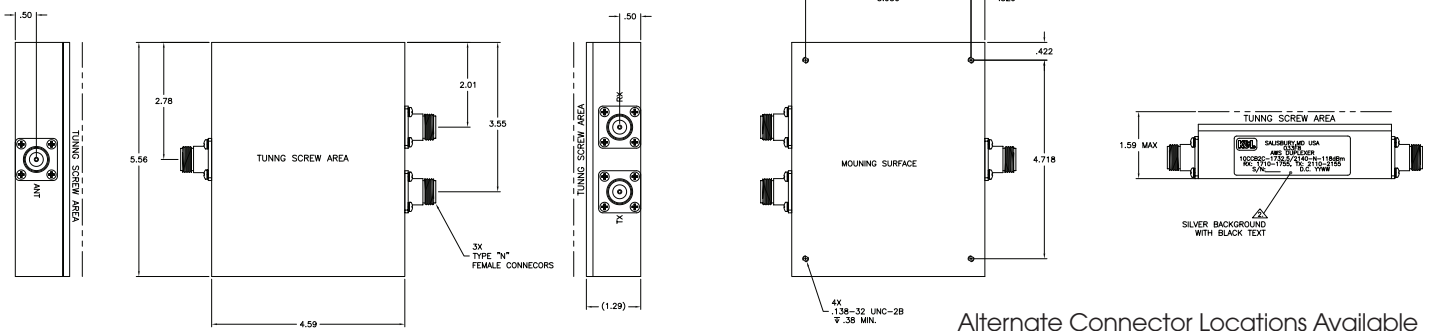
Passband	
Lowband - RX:	1710-1755
Highband - TX:	2110-2170
Insertion loss	
Antenna - TX:	0.5 dB
Antenna - RX:	0.5 dB
Isolation RX-TX:	70 dB
Return Loss:	-20 dB
Impedance:	50 Ω
Input Power:	100 W
Third Order Intermodulation Product: (2 x 20 W tones input to the antenna port measured in the reflective mode)	156 dBc, N-Type Connector 161 dBc, 7/16 Connector
Temperature Range:	-20°C to +50°C
Connectors:	N or 7/16
Application:	Indoor (Sealed Outdoor Units Available)
Mounting:	4 Mounting holes, 6-32 (Custom Mounting Available)
Dimensions (W x H x D):	4.59" x 5.56" x 1.59"



Measured Performance Data

Other custom RF and performance mechanical configurations available.

## ◆ Outline Drawing:



www.klmicrowave.com  
Phone: 410-749-2424 • FAX: 443-260-2268  
Email: sales@klmicrowave.com



www.klfilterwizard.com  
2250 Northwood Drive  
Salisbury, MD 21804