

Low Frequency Digitally Controlled Tunable Filters

◆ Features:

- Digitally Controlled
- Optional Internal Filter Providing 60 dB min. Attenuation out to 700 MHz
- High Performance Cavity Design
- Octave Tuning Ranges
- Drive Voltages Include 24 VDC (standard), 12 VDC and 110 VAC
- Remote Interfaces Include GPIB (standard), RS-232 and RS-422



◆ Specifications:

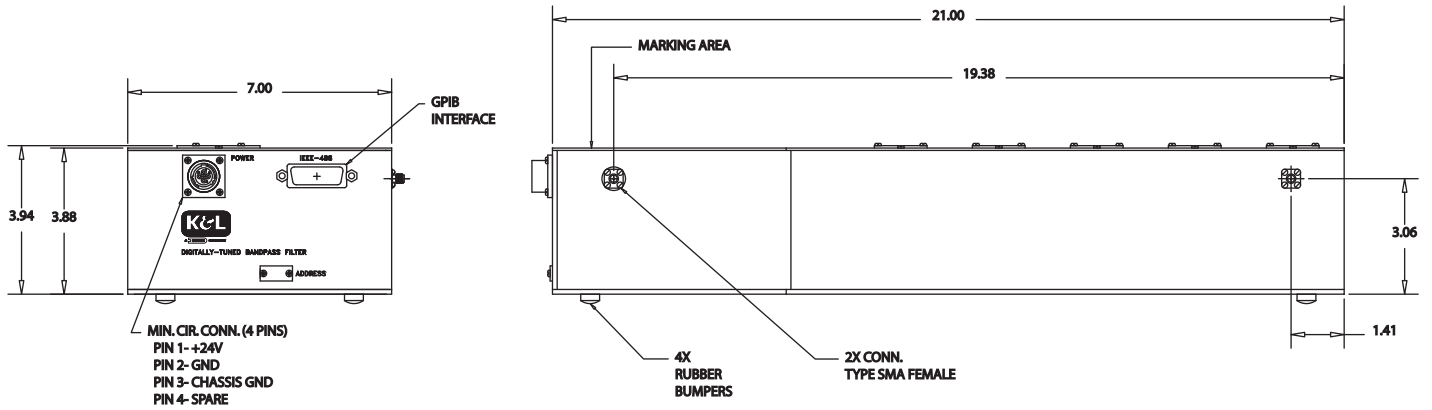
K&L Model Bandpass	Frequency Range (MHz)	Passband Insertion Loss	3 dB BW	VSWR	Shape Factor 30 dB to 3 dB / 50 dB to 3 dB
D5BT-2/4-5-N/N-GRI-LP	2 - 4	3.5 dB max.	5%	1.5:1	2.2:1 / 3.5:1
D5BT-4/8-5-N/N-GRI-LP	4 - 8	3.0 dB max.	5%	1.5:1	2.2:1 / 3.5:1
D5BT-8/16-5-N/N-GRI-LP	8 - 16	2.0 dB max.	5%	1.5:1	2.2:1 / 3.5:1
D5BT-16/32-5-N/N-GRI-LP	16 - 32	2.0 dB max.	5%	1.5:1	2.2:1 / 3.5:1
Filter Type:	5 Section Bandpass				
Impedance:	50 Ohms				
RF Connectors:	Type N Standard, SMA / TNC / BNC Optional				
Digital Interface:	GPIB Standard, RS-232 / RS-422 / BCD Optional				
Control Power:	24 VDC Standard, 12 VDC / 110 VAC Optional				

◆ Applications:

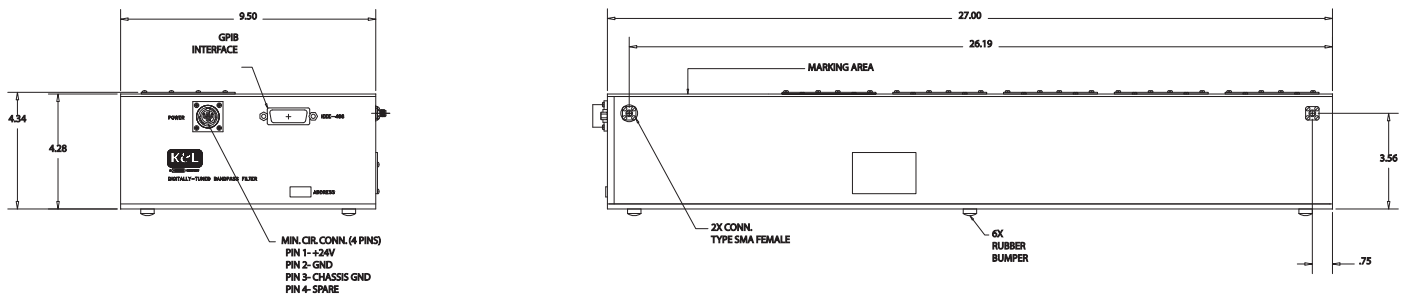
- Automated Test and Measurement Facilities
- Trouble Shooting Co-location Environments
- Military Communications
- Wireless Communications

Low Frequency Digitally Controlled Tunable Filters

◆ D5BT-00060 Outline Drawing:

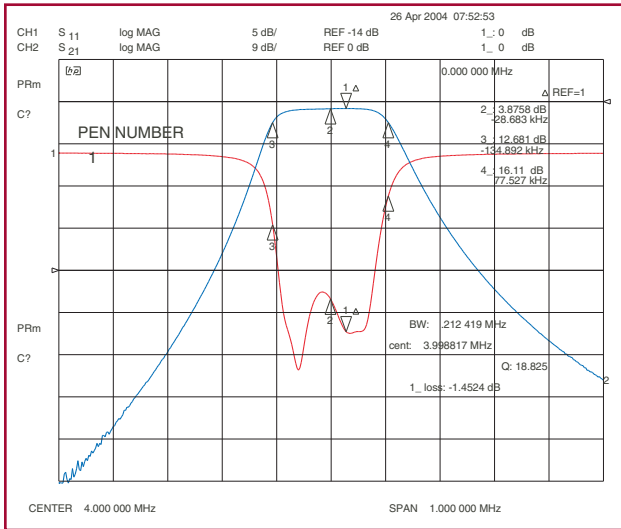


◆ D5BT-00061 Outline Drawing:

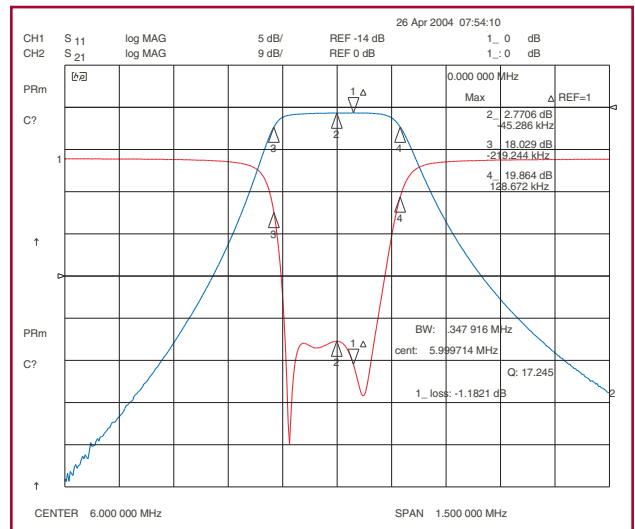


Low Frequency Digitally Controlled Tunable Filters

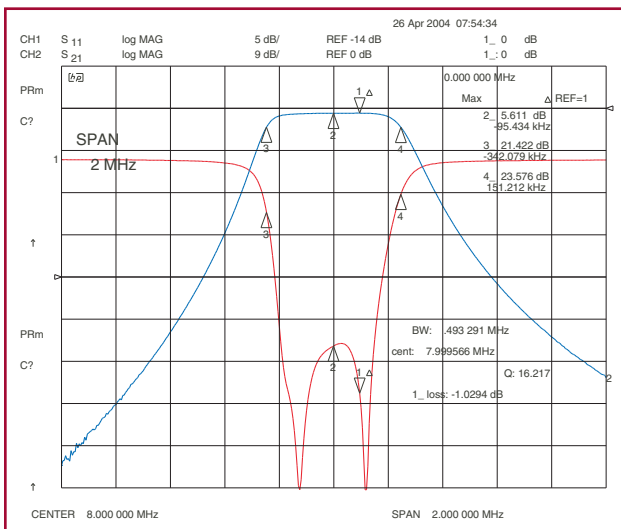
◆ Performance Data: D5BT-2/4-5-N/N-GRI-LP



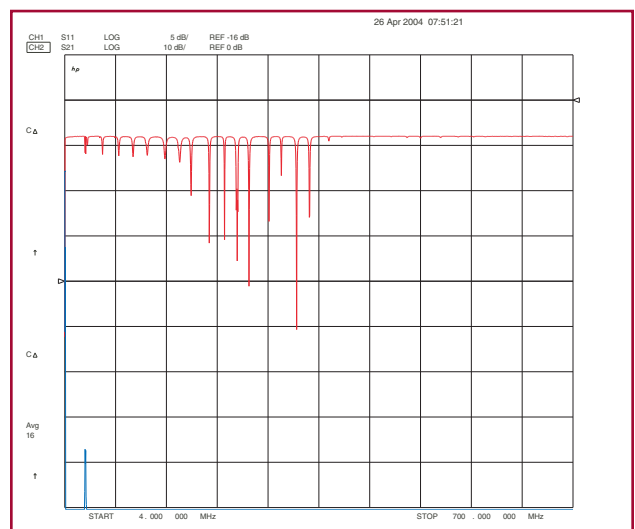
VSWR / Insertion Loss
Low Band



VSWR / Insertion Loss
Mid Band



VSWR / Insertion Loss
High Band



Out-of-Band Rejection